



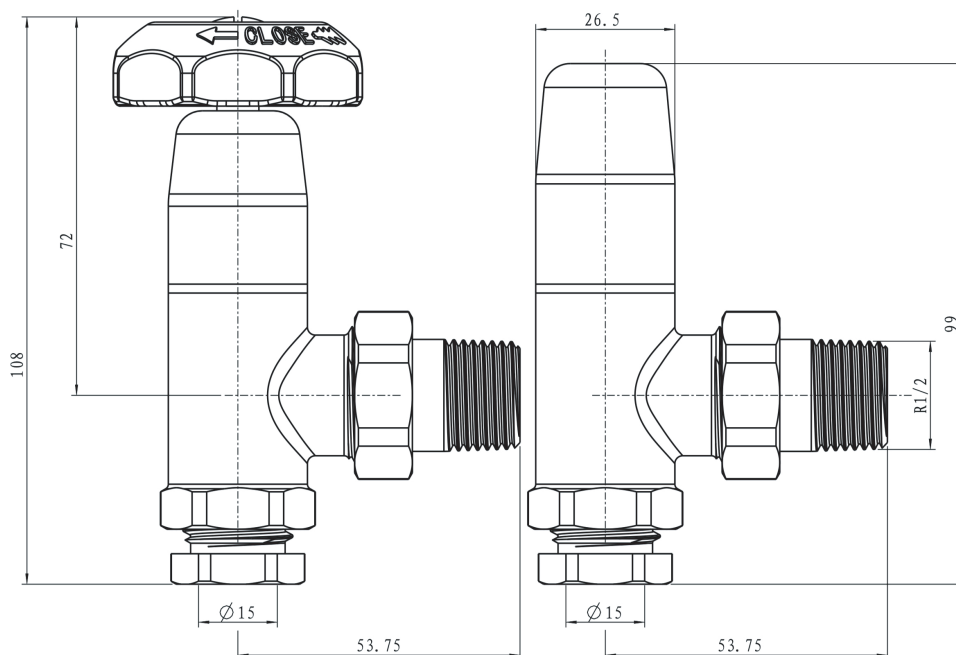
Introduction

This Bentley Cast Edwardian brass manual valve set is a high quality twin pack from Evolve consisting of two traditional radiator valves in brass finish: a wheel head and a lockshield valve, Available with 15mm compression to fit all cast iron radiators.

Technical Specification

- Maximum Working Pressure:10 bar
- Maximum Working Temperature: 100 °C
- Maximum Pressure Differential: 1 bar
- Minimum Water Temperature: 2 °C
- Maximum Ambient Temperature: 50 °C

Dimensions



EV-EVBCEV15B Bentley Cast Edwardian Valves 15mm Brass