



Stainless UV



HOT WATER CYLINDERS



Stainless UV

We offer a comprehensive selection of unvented hot water cylinders, to suit to both domestic and light commercial applications. With cylinders ranging in capacity from 90 to 500 litres to our portfolio includes: Direct, Indirect, Solar indirect, Slimline and Horizontal units as well as a range of Pre-Plumbed and System-fit models.

Features and benefits

- Duplex stainless steel for excellent corrosion resistance
- Mains pressure hot water for fast filling baths and powerful showers
- High flow-rate controls – ideal for multiple bathrooms
- Fast reheat and high insulation values resulting in high efficiency
- Direct, Indirect and Pre-plumbed models
- Wide range of types and capacities to suit various applications
- A complete package - just add pipework

Domestic Selection Guide

These recommendations are based on the guidelines in BS 6700. Guidance should be sought for unusual applications, e.g. high flow-rate showers, large baths etc.

HOT WATER DEMAND	BEDROOMS	INDIRECT UNITS	DIRECT UNITS
1 Standard bath or shower	Bedsit/1 bed	120	150
	2-3 bed	120	180
	3-4 bed	150	210
1 Standard bath	2-3 bed	120	180
	3-4 bed	150	210
1 Bath and En-suite	2-3 bed	150	210
	3-4 bed	150	210
	4-5 bed	180	250
2 Standard baths	2-3 bed	180	210
	3-4 bed	180	210
	4-5 bed	210	250
3 Bathrooms	3-4 bed	250	300
	4-5 bed	250	300
	5-6 bed	300	300

Commercial Selection Guide

These recommendations are based on the guidelines in BS 6700. Guidance should be sought for unusual applications, e.g. high flow-rate showers, large baths etc.

TYPICAL COMMERCIAL APPLICATION	INDIRECT UNITS
Large house 6 bed/4 bathrooms	2 x 210
Guest house 8 bed/4 bathrooms	2 x 300
Small hotel 8 bed/8 bathrooms	3 x 210
Sports pavilion (25 people/4 showers)	2 x 300
Sports pavilion (25 people/6 showers)	3 x 210
Student house (25 people/3 bathrooms)	3 x 300
Old people's home (60 beds/10 bathrooms) supplying 2 bathrooms	5 x 300 each

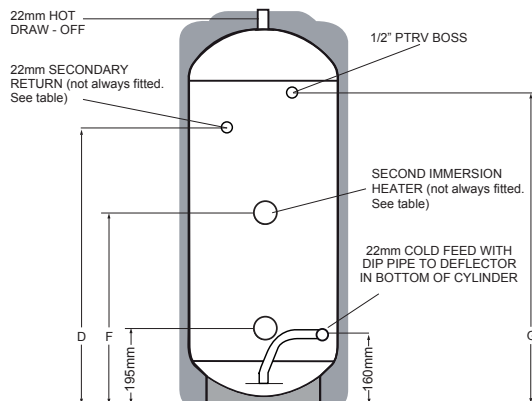




Stainless UV

Direct 90L - 300L

Unvented direct cylinders are designed for electric water heating and feature a Long Life Incoloy immersion heaters with smart control, which can be used in conjunction with 'low tariff electricity'. They are suitable mainly for domestic use.



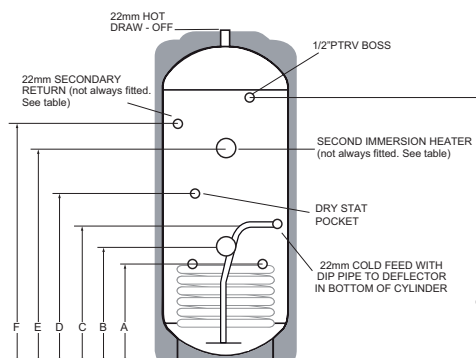
CODE	CAPACITY (Litres)	HEIGHT	DIAMETER	D	F	G	ERP				
							Rating	Load Profile	AEC kWh/Year	Efficiency %	dB
ED90ERP	90	745	550	N/A	N/A	520	C	L	2689	38.1 [‡]	15
ED120ERP	120	933	550	N/A	510	705	B	M	1222	34.9 [‡]	15
ED150ERP	150	1120	550	N/A	610	895	C	L	2628	39.0 [‡]	15
ED180ERP	180	1308	550	N/A	710	1080	C	L	2628	41.0 [‡]	15
ED210ERP	210	1496	550	1150	810	1270	C	L	2672	38.3 [‡]	15
ED250ERP	250	1746	550	1400	950	1520	C	L	2669	38.4 [‡]	15
ED300ERP	300	2055	550	1600	1100	1850	C	L	2550	40.1 [‡]	15

All dimensions are in mm and are of the cased unit. N/A = Not Applicable. ‡ Smart immersion heater controller installed



Indirect 90L - 500L

Unvented indirect cylinders are designed to heat up quickly and to retain their heat for long periods. From single shower water heating to meeting hot water demands for sports pavilions – we have the hot water solution for your needs. They are suitable for use with traditional boiler (gas, oil or electric) and have an immersion heater fitted for a back-up heating.



CODE	CAPACITY Litres	HEIGHT	DIA	A	B	C	D	E	F	G	ERP	
											Rating	Standing Loss, (W)
EN90ERP	90	745	550	290	330	390	385	N/A	N/A	520	C	49
EN120ERP	120	933	550	290	330	390	385	N/A	N/A	705	B	50
EN150ERP	150	1120	550	330	370	465	425	N/A	N/A	895	C	68
EN180ERP	180	1308	550	330	370	465	425	N/A	N/A	1080	C	69
EN210ERP	210	1496	550	365	405	465	465	N/A	1150	1270	C	73
EN250ERP	250	1746	550	365	405	465	560	950	1400	1520	C	91
EN300ERP	300	2055	550	365	405	465	660	1100	1600	1830	C	87
EN400ERP	400	1657	693	692	767	197	827	1057	1347	1387	C	102
EN500ERP	500	1946	693	692	767	197	827	1357	1947	1687	C	110

All dimensions are in mm and are of the cased unit. N/A = Not Applicable.

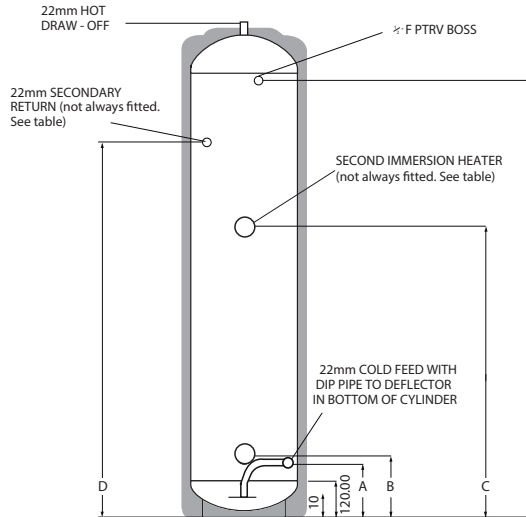




Stainless UV

Slimline Direct 150L - 210L

The slimline models have been developed to enable installers to fit unvented cylinders into smaller properties where space is an issue. Slimline direct cylinders are designed for electric water heating and feature a Long Life Incoloy immersion heaters with smart control, which can be used in conjunction with 'low tariff electricity'. They are suitable mainly for domestic use.



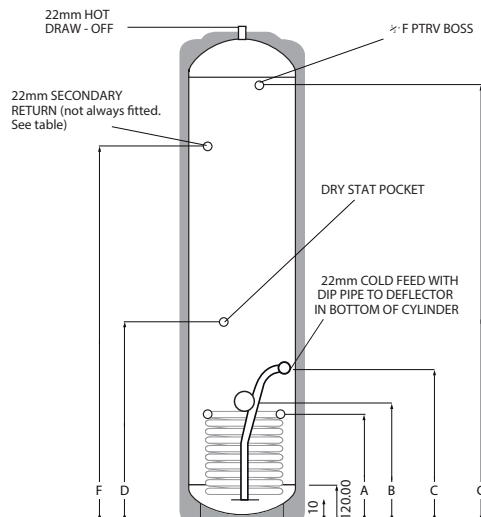
CODE	CAPACITY (Litres)	HEIGHT	DIAMETER	A	B	C	D	G	ERP				
									Rating	Load Profile	AEC kWh/year	Efficiency %	dB
EDS150ERP	150	1467	478	175	210	810	N/A	1234	C	L	2689	38.1 [†]	15
EDS180ERP	180	1717	478	175	210	910	N/A	1484	C	L	2640	38.8 [†]	15
EDS210ERP	210	2030	478	175	210	1100	1500	1797	C	L	2597	39.4 [†]	15

All dimensions are in mm and are of the cased unit. N/A = Not Applicable. [†] Smart immersion heater controller installed



Slimline Indirect 150L - 210L

The slimline models have been developed to enable installers to fit unvented cylinders into smaller properties where space is an issue. Slimline indirect cylinders are designed to heat up quickly and to retain their heat for long periods. They are suitable for use with traditional boiler (gas, oil or electric) and have an immersion heater fitted for a back-up heating.



CODE	CAPACITY (Litres)	HEIGHT	DIAMETER	A	B	C	D	F	G	ERP	
										Rating	Standard Loss, (W)
ENS150ERP	150	1467	478	380	420	520	520	N/A	1234	C	65
ENS180ERP	180	1717	478	380	420	520	610	N/A	1484	C	73
ENS210ERP	210	2030	478	380	420	520	710	1500	1797	C	87

All dimensions are in mm and are of the cased unit. N/A = Not Applicable.





Stainless UV

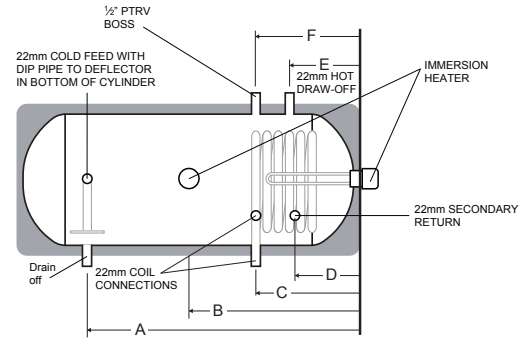
Horizontal Indirect 180L - 300L

The horizontal cylinders have been developed to enable installers to fit unvented cylinders in locations where height restrictions apply such as lofts. Horizontal indirect cylinders are designed to heat up quickly and to retain their heat for long periods. From single shower water heating to meeting hot water demands for sports pavilions – we have the hot water solution for your needs. They are suitable for use with traditional boiler (gas, oil or electric) and have an immersion heater fitted for a back-up heating.



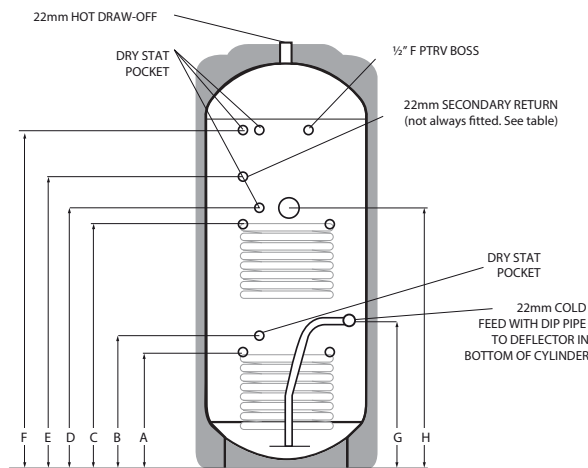
CODE	CAPACITY (Litres)	LENGHT	HEIGHT	DIA	A	B	C	D	E	F	ERP	
											Rating	Standard Loss, (W)
ENH180ERP	180	1258	680	550	925	798*	483	N/A	209	346	C	72
ENH210ERP	210	1446	680	550	1213	898*	483	248	209	346	C	76
ENH250ERP	250	1696	680	550	1363	898	483	248	209	346	C	89
ENH300ERP	300	2009	680	550	1676	898	483	248	209	346	C	88

*Note: 180L & 210L Cylinders fitted with 1 3/4" BSP boss for an additional immersion heater, sold separately.
Immersion heater CODE: IMHTRSS
All dimensions are in mm.



Solar Indirect 180L - 300L

Ideal for any solar thermal system, solar indirect cylinders feature two heating coils, with the primary coil connecting to a solar thermal heat source and the secondary coil connecting to a traditional boiler (gas, oil or electric). It also has an immersion heater fitted for a back-up heating. Solar indirect cylinders heat up quickly and retain their heat for long periods. From single shower water heating to meeting hot water demands for sports pavilions – we have the hot water solution for your needs.



CODE	CAPACITY (Litres)	HEIGHT	DIAMETER	A	B	C	D	E	F	G	H	ERP	
												Rating	Standard Loss, (W)
ET180ERP	180	1308	550	290	345	674	729	N/A	1080	390	725	C	69
ET210ERP	210	1496	550	365	420	779	834	1150	1270	465	830	C	73
ET250ERP	250	1746	550	365	420	950	1005	1400	1520	465	1000	C	91
ET300ERP	300	2055	550	365	420	980	1034	1600	1830	465	1030	C	87

All dimensions are in mm and are of the cased unit. N/F = Not Fitted.

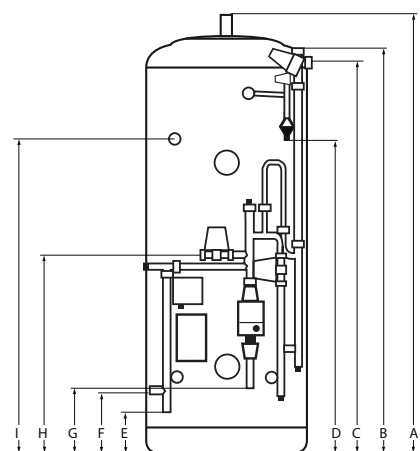




Stainless UV

Pre-Plumb Indirect 120L - 300L

Using our standard indirect cylinders, but with plumbing and wiring factory fitted a pre-plumb cylinders can save up to 70% fitting time on-site, in addition to all the usual features and benefits associated with an unvented hot water cylinder. We provide models suitable for use with conventional gas or oil boilers



Components & Connections

- 22mm Hot Water Draw-Off
- Inlet Control Set
- Temperature Relief Valve
- Cold Feed Drain Elbow
- Immersion Heater 3kW
- Secondary immersion Heater 3kW (250L & 300L Only)
- Dual Thermostat
- 22mm Auto Bypass Valve
- Circulating Pump
- Central Heating Flow 1 x Two Port Zone Valve
- Filling Loop Flexible Hose
- Manual Bottle Air Eliminator
- 22mm DHW Two Port Valve
- 28mm Return from Radiator Circuit
- 28mm Return to Boiler
- Wiring Centre
- Tundish
- Secondary Return (210L, 250L & 300L Only)
- DHW Drain
- 28mm Flow to Boiler



CODE	CAPACITY (Litres)	HEIGHT (Litres)	DIAMETER	A	B	C	D	E	F	G	H	I	ERP	
													RATING	RATING
EN120P4ERP	120	933	550	933	883	836	573	171	246	102	470	N/A	B	50
EN150P4ERP	150	1120	550	1120	1070	1025	782	212	287	142	550	N/A	C	68
EN180P4ERP	180	1308	550	1308	1325	1280	1037	212	287	142	550	N/A	C	69
EN210P4ERP	210	1496	550	1496	1445	1400	1157	246	321	277	685	1150	C	73
EN250P4ERP	250	1746	550	1746	1695	1650	1407	246	321	277	685	1400	C	91
EN300P4ERP	300	2055	550	2055	2008	1963	1720	246	321	383	790	1600	C	87

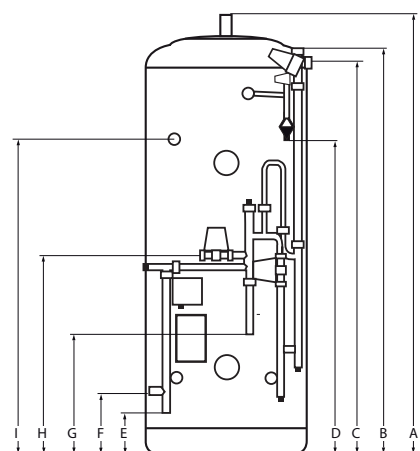
All dimensions are in mm and are of the cased unit. N/A = Not Applicable.



Stainless UV

System-Fit Indirect 180L - 300L

Specifically designed for use with system or conventional boilers, these system-fit cylinders use out standard indirect cylinders, with plumbing and wiring factory fitted. A System-Fit cylinders can save up to 70% fitting time on-site, in addition to all the usual features and benefits associated with an unvented hot water cylinder.



Components & Connections

- 22mm Hot Water Draw-Off
- Inlet Control Set
- Temperature Relief Valve
- Cold Feed Drain Elbow
- Immersion Heater 3kW
- Secondary immersion Heater 3kW (250L & 300L Only)
- Dual Thermostat
- 22mm Auto Bypass Valve
- Central Heating Flow 1 x Two Port Zone Valve
- Filling Loop Flexible Hose
- Manual Bottle Air Eliminator
- 22mm DHW Two Port Valve
- 28mm Return from Radiator Circuit
- 28mm Return to Boiler
- Wiring Centre
- Tundish
- Secondary Return (210L, 250L & 300L Only)
- DHW Drain
- 28mm Flow to Boiler



CODE	CAPACITY (Litres)	HEIGHT (Litres)	DIAMETER	A	B	C	D	E	F	G	H	I	ERP	
													RATING	RATING
EN180P5ERP	180	1308	550	1308	1325	1280	1037	212	287	462	550	N/A	C	69
EN210P5ERP	210	1496	550	1496	1445	1400	1157	246	321	597	685	1150	C	73
EN250P5ERP	250	1746	550	1746	1695	1650	1407	246	321	597	685	1400	C	91
EN300P5ERP	300	2055	550	2055	2008	1963	1720	246	321	703	790	1600	C	87

All dimensions are in mm and are of the cased unit. N/A = Not Applicable.



Stainless UV

Everflo Cylinders

Unit 11 Capital Industrial Estate
Crabtree Manorway South, Belvedere
Erith, Kent DA17 6BJ

Sales Enquiries: 0208 3123720 Technical Helpline: 0330 999 0035

E-mail: sales@everflocontainers.co.uk

www.everflocontainers.co.uk