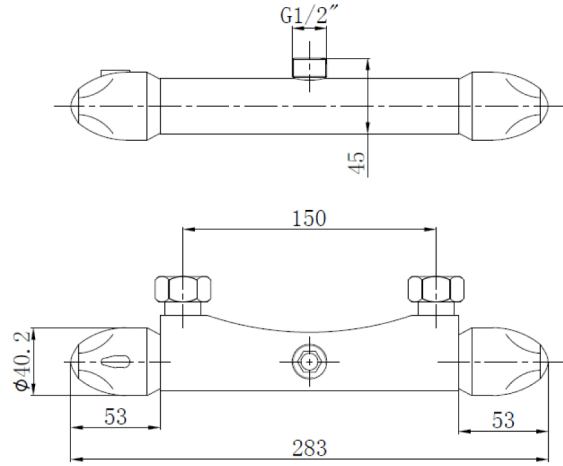


Specification Sheet

Thermostatic Bar Mixer



Product Specification

Product Code: 109.9

Finish: Chrome plated

Construction: Bodies of the tap are solid brass casting, Solid brass casting produced from grade A brass

Cartridge: Thermostatic Cartridge

Supply: Suitable for all plumbing system

Water Pressure: Ranges from a minimum pressure of 0.5 bar to a maximum of 5 bar

Technical Advice: For further information please call 0208-3112329 or email sales@lavatataps.co.uk

Guarantee: The product carries a 3 years guarantee, excluding the ceramic (head/cartridge) which is covered by a 12 month guarantee

Flow Rate(litres per minute)

Recommended System Pressure	0.1 bar	0.3 bar	0.5 bar	1.0 bar	3.0 bar	5.0 bar
109.9	3.6	6.0	8	11.2	20.2	26