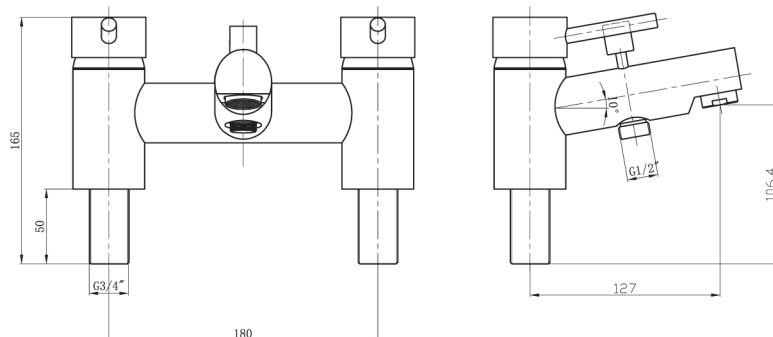


# Specification Sheet

Bath Shower Mixer

# LAVATA



## Product Specification

- Product Code:** 104-5  
**Finish:** Chrome plated  
**Construction:** Bodies of the tap are solid brass castings, and the handles are zinc cast; Solid brass casting produced from grade A brass  
**Valve Type:** Quarter turn cartridge  
**Supply:** Suitable for all plumbing systems  
**Inlet Connections:** G3/4 female BSP loose nut  
**Water Pressure:** Ranges from a minimum pressure of 0.2 to a maximum of 5.0 bar

**Technical Advice:** For further information please call 0208-3112329 or email [sales@lavatataps.co.uk](mailto:sales@lavatataps.co.uk)

**Guarantee:** The product carries a 5 year guarantee, excluding the ceramic (head/cartridge) which is covered by a 12 month guarantee

## Flow Rates(litres per minute)

System Pressure	0.2 bar	0.3 bar	0.4 bar	0.5 bar	1 bar	2 bar	3 bar	4 bar	5 bar
104-5	9.80	12.00	13.80	17.80	25.70	32.50			

For any information please email [sales@lavatataps.co.uk](mailto:sales@lavatataps.co.uk)

Or visit our web-site at [www.lavatataps.co.uk](http://www.lavatataps.co.uk)  
We reserve the right to make technical modifications without prior notice.