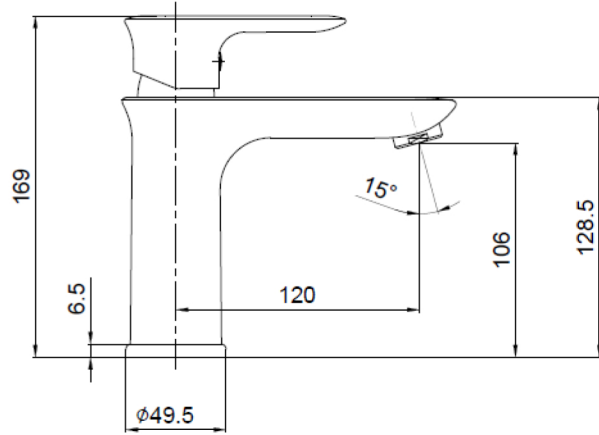


Specification Sheet

Mono Basin Mixer



Product Specification

Product Code: 110.4

Finish: Chrome plated

Construction: Bodies of the tap are solid brass casting, handles are zinc, Solid brass casting produced from grade A brass

Cartridge 35mm ceramic disc cartridge

Supply: Suitable for all plumbing system

Inlet Connection: G1/2" female BSP loose nut, threaded flexible tail

Water Pressure: Ranges from a minimum pressure of 0.5 bar to a maximum of 5 bar

Technical Advice: For further information please call 0208-3112329 or email sales@lavatataps.co.uk

Guarantee: The product carries a 3 years guarantee, excluding the ceramic (head/cartridge) which is covered by a 12 month guarantee

Flow Rate(litres per minute)

Recommended System Pressure	0.1 bar	0.3 bar	0.5 bar	1.0 bar	3.0 bar	5.0 bar
110.4	3.9	6.1	7.4	10.4	18.9	25