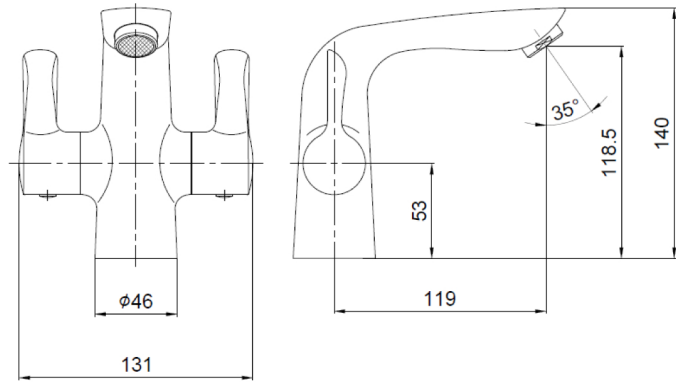


## Specification Sheet

### Mono Basin Mixer



## Product Specification

Product Code: 111.4

Finish: Chrome plated

Construction: Bodies of the tap are solid brass casting, handles are zinc, Solid brass casting produced from grade A brass

Cartridge 1/2" 1/4 turn ceramic head valve

Supply: Suitable for all plumbing system

Inlet Connection: G1/2" female BSP loose nut, threaded flexible tail

Water Pressure: Ranges from a minimum pressure of 0.5 bar to a maximum of 5 bar

Technical Advice: For further information please call 0208-3112329 or email [sales@lavatataps.co.uk](mailto:sales@lavatataps.co.uk)

Guarantee: The product carries a 3 years guarantee, excluding the ceramic (head/cartridge) which is covered by a 12 month guarantee

Flow Rate(litres per minute)

Recommended System Pressure	0.1 bar	0.3 bar	0.5 bar	1.0 bar	2.0 bar	3.0 bar
111.4	8	10.5	7.4	14.1	27.1	32.5