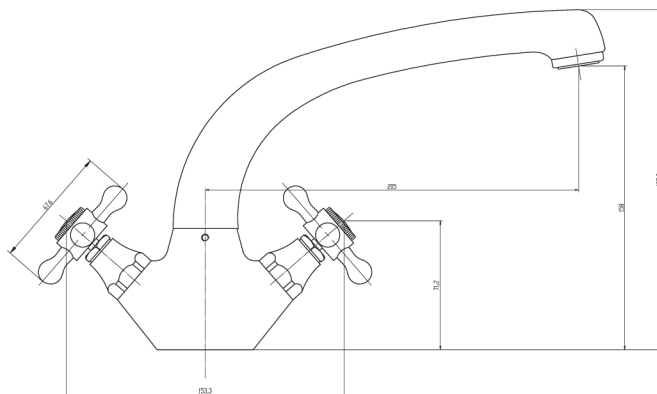


# Specification Sheet

Mono Sink Mixer

# LAVATA



## Product Specification

- Product Code:** 103-6  
**Finish:** Chrome plated  
**Construction:** Bodies of the tap are solid brass castings, and the handles are zinc cast; Solid brass casting produced from grade A brass  
**Valve Type:** Full turn cartridge  
**Supply:** Suitable for all plumbing systems  
**Inlet Connections:** Threaded flexible tails  
**Water Pressure:** Ranges from a minimum pressure of 0.2 to a maximum of 5.0 bar

**Technical Advice:** For further information please call 0208-3112329 or email [sales@lavatataps.co.uk](mailto:sales@lavatataps.co.uk)

**Guarantee:** The product carries a 5 year guarantee, excluding the ceramic (head/cartridge) which is covered by a 12 month guarantee

## Flow Rates(litres per minute)

| System Pressure | 0.2 bar | 0.3 bar | 0.4 bar | 0.5 bar | 1 bar | 2 bar | 3 bar | 4 bar | 5 bar |
|-----------------|---------|---------|---------|---------|-------|-------|-------|-------|-------|
| 103-6           | 8.80    | 11.30   | 12.90   | 14.50   | 18.30 | 22.50 | 26.80 | 29.10 | 32.50 |

For any information please email [sales@lavatataps.co.uk](mailto:sales@lavatataps.co.uk)

Or visit our web-site at [www.lavatataps.co.uk](http://www.lavatataps.co.uk)  
We reserve the right to make technical modifications without prior notice.