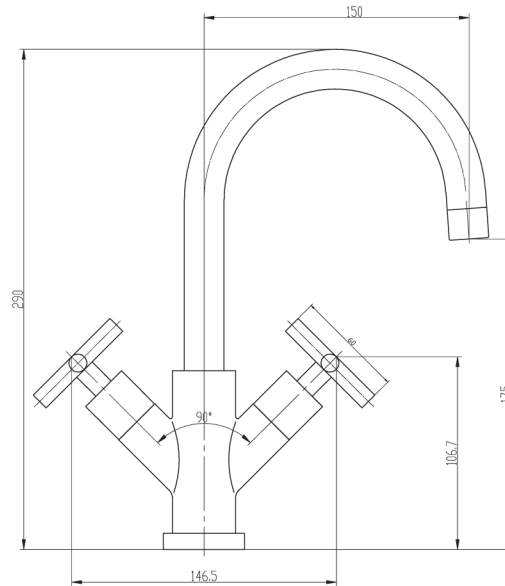


# Specification Sheet

Mono Sink Mixer



## Product Specification

- Product Code:** 108-1
- Finish:** Chrome plated
- Construction:** Bodies of the tap are solid brass castings, and the handles are zinc cast; Solid brass casting produced from grade A brass
- Valve Type:** Quarter turn cartridge
- Supply:** Suitable for all plumbing systems
- Inlet Connections:** Threaded flexible tails
- Water Pressure:** Ranges from a minimum pressure of 0.2 to a maximum of 5.0 bar

**Technical Advice:** For further information please call 0208-3112329 or email [sales@lavatataps.co.uk](mailto:sales@lavatataps.co.uk)

**Guarantee:** The product carries a 5 year guarantee, excluding the ceramic (head/cartridge) which is covered by a 12 month guarantee

## Flow Rates(litres per minute)

System Pressure	0.2 bar	0.3 bar	0.4 bar	0.5 bar	1 bar	2 bar	3 bar	4 bar	5 bar
108-1	6.6	8.1	9.3	10	14	19.8	24.3	28	31.4

For any information please email [sales@lavatataps.co.uk](mailto:sales@lavatataps.co.uk)

Or visit our web-site at [www.lavatataps.co.uk](http://www.lavatataps.co.uk)  
We reserve the right to make technical modifications without prior notice.