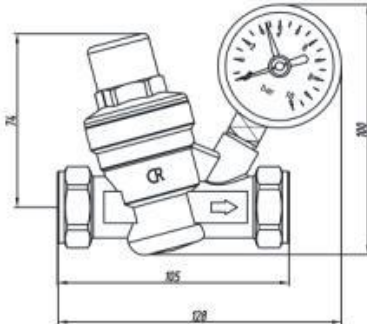


EVOLVE PRESSURE REDUCING VALVE

Model: 3/4" / 1/2" & 22mm/15mm

evolve

TECHNICAL SPECIFICATIONS

Max inlet working pressure:	16 bar
Outlet adjustment range:	min. 1 bar max 6 bars
Max temperature (water):	65 °C
Pre-setting at factory:	3 bar
Pressure gauge reading:	0-10 bar
Pressure gauge connection:	1/4" BSP
Medium:	Potable Water

Pressure reducing valves are installed in water systems to reduce and stabilise inlet pressures from mains water supplies or boosted water systems.

The Evolve pressure reducing valve is designed for hot and cold water services in domestic or semi commercial applications. A pressure reducing valve can be installed on hot and cold supplies to prevent excessive at water outlets such as taps and showers.

INSTRUCTION FOR INSTALLATION

The Evolve pressure reducing valve must be fitted to direction arrow on the body. For ease of servicing it is recommended to install isolating valves upstream and downstream of the valve

SETTING INSTRUCTION

This pressure reducing valve has been preset at factory to 3 Bar. When adjusting pressure settings;

- 1) Close all items (taps etc.) after from the PRV.
- 2) Turn screw anti-clockwise to reduce the pressure (Unscrew).
- 3) Turn screw clockwise to increase pressure (Screw).

CARE INSTRUCTION

Evolve PRV's are supplied fitted with an inbuilt stainless steel strainer to protect the cartridge from system debris. It is recommended that this filter is periodically cleaned; this can be achieved with the valve in situ.

Procedure

Close both inlet and outlet isolating valves, if isolating valves are not installed drain the system. Unscrew the black plastic cap carefully and using pliers PULL the complete filter out. Clean with warm water, check and refit the cartridge by pushing back into body. Re-install the plastic cap, spring and adjustment screw. Turn water back on and check pressure setting.

NOTE: This valve can be fitted on horizontal and vertical pipe.