

Why Vaillant?

For lasting comfort in every
one of your customer's homes.



Contents

About Vaillant	3 - 4
Introduction to our boiler range	5
Green iQ technology	6
Combi boilers	7 - 16
System boilers	17 - 24
Open vent boilers	25 - 28
Flue lengths	29
Terminal clearances	30
Flue solutions	31 - 32
Controls	33 - 38
Domestic cylinders	39 - 42
Training & development	43
Service & support	44
10 year guarantee	45
Order numbers	46





Who are Vaillant

Vaillant is a brand within the Vaillant Group, a family owned business with over 140 years of experience and a global leader in the development of high-efficiency heating, cooling and hot water products and solutions.

The Vaillant Group has headquarters in Germany and operates across 60 countries with over 30 million customers and sales in excess of £2.1bn.

In the UK, Vaillant deliver premium quality heating systems that are German engineered and UK manufactured at our award winning plant in Belper, Derbyshire. Vaillant products all feature high energy efficiency, low emissions and an enviable reputation for performance, quality and reliability.

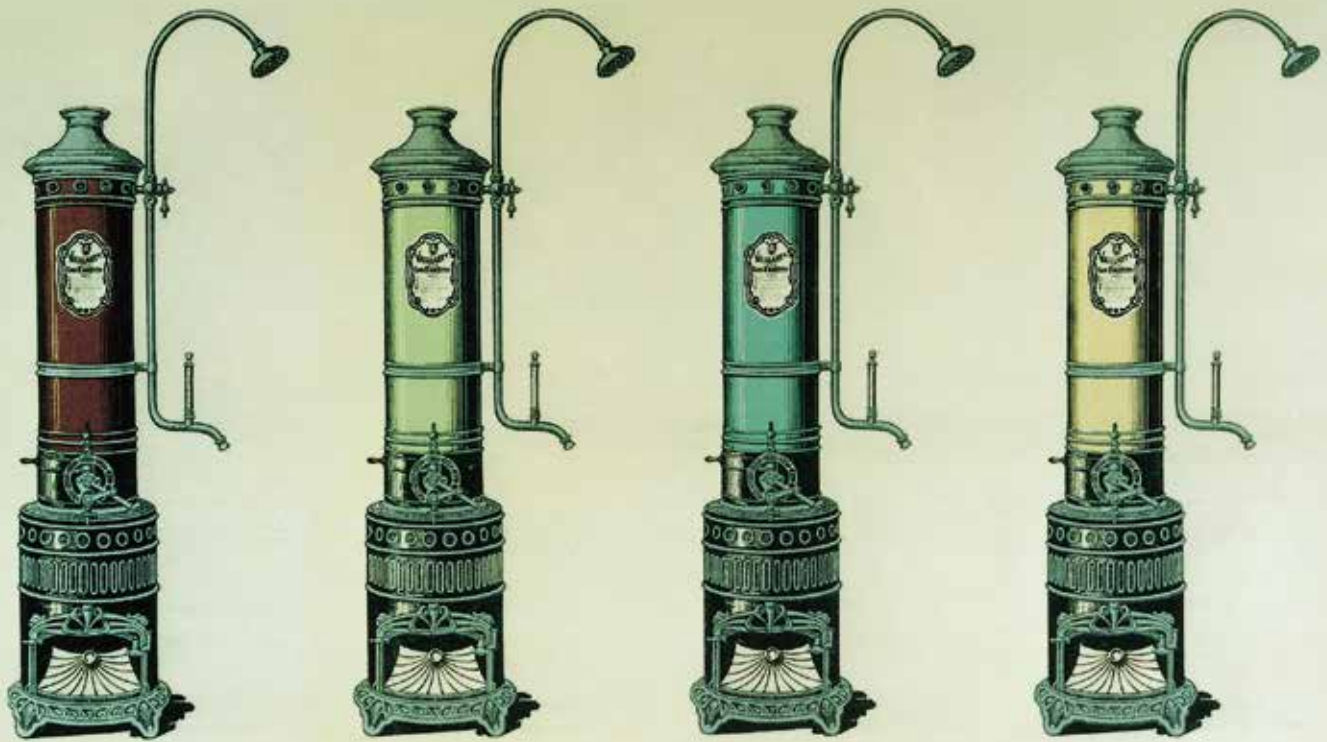
Handcrafted by one person from start to finish, each product goes through over 500 quality checks to ensure no faulty product can leave the factory.

This quality is supported by the largest Service and Support team in the UK heating industry with over 230 field service engineers and product guarantees of up to 10 years* to offer your customers total peace of mind.

Our ecoTEC and cupboard fit ecoFIT range are also extremely quiet in operation and have been awarded Quiet Mark from the UK Noise Abatement Society.

All of this commitment and focus ensures that Vaillant continue to deliver market leading heating solutions that provide your customers with Comfort for their Home.

*When installed by a registered Vaillant Advance partner.



Lackierung **Nr. 5**
braun
6 Tage Lieferzeit.

Lackierung **Nr. 6**
seegrün
7 Tage Lieferzeit.

Lackierung **Nr. 7**
hellblau
7 Tage Lieferzeit.

Lackierung **Nr. 8**
crème
8 Tage Lieferzeit.

Nur ab Remscheid lieferbar, in Mannheim nicht vorrätig.
Andere nicht aufgeführte Lackierungsarten werden nach Muster oder Angabe jederzeit ausgeführt.
Ich bitte um Beachtung der auf Seite 89 befindlichen wichtigen Bemerkungen über außergewöhnliche Lackierungen.

Vaillant story

Over 140 years of innovation

Vaillant has been setting the standard in the heating market since 1874 by continually developing products that revolutionise the industry.

Yesterday

Vaillant was born in 1874 when Johann Vaillant founded his workshop in Remscheid, Germany. Twenty years later, the world's first ever gas fired water heater with domestic hot water changed the way we heat our homes forever. In 1930 the first Vaillant gas-fired water heater came to life, and so began a continual process of innovation and design evolution that has led to the extensive range of products we offer today.

Today

Over the last 140 years, we have revolutionised the industry. Safeguarding the planet for future generations, we've created products that can help reduce carbon emissions and the cost of providing heat and water for your home.

Along with our highly accredited, super-efficient range of ecoTEC and ecoFIT domestic gas boilers, we have a

comprehensive range of renewable technologies.

Our heat pump solutions include the multi-source flexoTHERM, the air to water aroTHERM and ground source geoTHERM. Add to this we offer our auroTHERM solar thermal solution supported by our own range of hot water cylinders, thermostats and smart easy to use heating controls to ensure your system is maximised to its full potential.

The future

Behind every Vaillant product is the quality and efficiency of pioneering German engineering. We never stop pushing the limits of what can be achieved, creating revolutionary new products that help to reduce our impact on the planet.

The Vaillant Group vision is about taking care of a better climate to safeguard the homes of millions of people and the environment. Our 12,000 employees are working to achieve this shared vision. It is both our ambition and our common goal.

We specialise in heating and hot water technology - all of which are critical factors in climate protection. We are working on this together. Every single day.



The complete boiler range - from 12 to 64kW

Vaillant manufacture one of the widest range of boilers to meet the demands of all UK house types and sizes. From one bedroom apartments to five bedroom large family homes with multiple bathrooms, we have a product to deliver comfort for your customer's home.

Our Which? Best Buy Award winning domestic boiler range offers heating outputs from 12kW open vent to a 64kW system boilers for larger homes with bigger heating and hot water needs. Our range covers all of the outputs required for combi, system and open vent applications and are supported with flexible flues and a range of accessories including condensate pumps. We even offer a unique combi storage model which has 20 litres per min flow rate with combi boiler technology.

To create the most efficient and high quality heating system we have developed our own range of hot water cylinders from a slim-line pre-plumbed 120 litre up to 300 litre in capacity.

Add to this our own high quality easy to use heating controls and thermostats which offer your customers everything from simple analogue control to smart app based solutions that offer room by room heating control with our digital TRVs. All of our controls provide load compensation with some models offering weather compensation to meet Boiler Plus legislation. Our smart controls also alert homeowners if there any faults and remind them to contact you the installer when the boiler requires its annual service.

Introducing Green iQ

GREEN
iQ

A smart badge: Green iQ

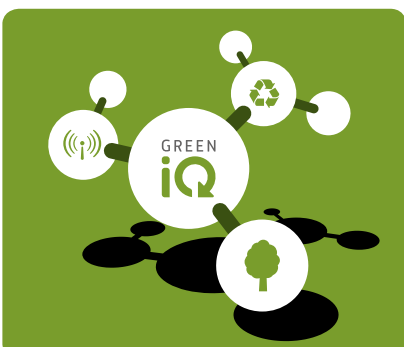
We introduced the Green iQ badge to set benchmarks for outstanding quality and to ensure we aim to create future proof, sustainable heating systems that achieve the lowest carbon footprint. Green iQ is the first badge to distinguish well-engineered products that are both sustainable and networked for the future.

Combining our complete range of smart technologies and features, you can be sure you're fitting the very best when you fit the ecoTEC exclusive. As well as providing

great performance, the ecoTEC exclusive with Green iQ intelligently manages consumption and output to keep all its components running at peak performance for longer, providing a low-maintenance solution that you can rely on.

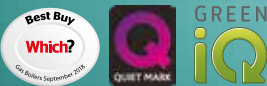
The ecoTEC exclusive range consists of two large output combination boilers with extra-condense technology, and a single system boiler, which includes an integrated diverter valve for the first time in UK Vaillant history.

GREEN
iQ



ecoTEC exclusive combi with Green iQ

35 and 43kW



Overview

The ecoTEC exclusive is our first ever boiler with the Green iQ technology. Combining our complete range of smart technologies and features, you can be sure you're fitting the very best when you fit the ecoTEC exclusive.

As well as providing great performance, the ecoTEC exclusive intelligently manages consumption and output to keep all its components running at peak performance, for longer, providing a low maintenance solution that you can rely on.

The combi range features 35kW and 43kW models, which can deliver much higher than average central heating outputs, making the ecoTEC exclusive a must have for larger properties.

Features & Benefits

■ Boiler Plus compliant out of the box*

Integrated flue gas heat recovery using extra condense heat exchanger to deliver market leading efficiency

*When fitted with time and temperature controls

■ Green iQ Mode

Outstanding eco-credentials which optimise running cycles, resulting in even lower gas consumption

■ Highly recyclable

ecoTEC exclusive is 85% recyclable at the end of its life

■ Premium quality components

Including brass diverter valve, ensuring highest reliability and performance

■ Wide modulation range of up to 1:10

Adapts perfectly to all systems in every situation, ensuring lowest fuel bills for your customers

■ Extra condense stainless steel heat exchanger

Taking overall combi boiler efficiency to the next level, and almost eliminating plume in DHW mode

■ Awarded Quiet Mark accreditation

One of the quietest boilers in the market, designed for a peaceful home

■ 10 year guarantee available

5 year out of the box, free 7 year when registered on Vaillant Advance, 10 year guarantee available when registered on Advance and installed with a Vaillant Boiler Protection Kit

■ Easy installation and maintenance

Accessible layout allows all components to be replaced from the boiler front. Removable side panels for even more access

■ Step by step full text installation wizard

For quicker, "first time right" set up and installation

■ High power, 43kW output model available

Delivers Vaillant's highest ever flow rate

■ All-gas system

As a self-adaptive system, it automatically adjusts to all types of gas including LPG for off-gas areas

■ Compatible with Vaillant's intelligent range of controls

Delivers an easy to use and energy efficient system, saving money on energy bills

■ Flame lift detection system

Enabling more efficient and quieter combustion

Technical data	Unit of measure	ecoTEC exclusive 835	ecoTEC exclusive 843
General			
Boiler type		combi	
Signature model output	kW	35	43
Article number		0010017064	0010017065
Gas Council number		47-044-66	47-044-67
Boiler dimensions (HxWxD)	mm	720 x 440 x 406	720 x 440 x 474
Heating			
Nominal heat output range at 50/30 °C (Condensing mode)	kW	3.9 - 26.4	4.8 - 36.0
Nominal heat output range at 80/60 °C (Non condensing mode)	kW	3.4 - 24.6	4.3 - 33.4
Maximum flow temperature	°C	85	
Flow temperature range	°C	30 - 80	
Flow temperature factory setting	°C	75	
Approximate condensate volume at 50/30 °C	litres/hr	2.48	3.37
Modulation (max/min)	1 : X	1:10.4	1:10.1
Domestic Hot Water			
Maximum heat output for water generation	kW	35.3	43.4
Lowest water pressure to operate boiler	bar	0.35	
Lowest water flow for operation	l/min	1.5	
Lowest water pressure for maximum flow rate	bar	0.8	
Domestic hot water flow rate (at $\Delta t = 35K$)	l/min	14.5	17.8
Domestic hot water flow rate (at $\Delta t = 45K$)*	l/min	11.2	13.8
Hot water output temperature range	°C	35 - 65	
Mechanical			
Expansion vessel size	litres	10	
Gas inlet connection (pipe size)	mm	15	20
Heating flow and return connections (pipe size)	mm	22	
Hot and cold water connections (pipe size)	mm	15	
Heat exchanger material	Stainless / Aluminium	Stainless Steel	
Boiler lift weight (Dry boiler)	kg	47.5	55.0
Maximum horizontal flue length 60/100	m	5.5	
Rear flue options	YES/NO	No	
Permissible flue classifications		C13, C33, C43, C53	
Performance			
NOx (En 15502-2-1)	mg/kWh	35	36
ErP efficiency (Heating / DHW)	A, A/A, A+	A / A	
ErP efficiency	%	94	
ErP decibel rating (sound power)	dBa	43	51
Minimum Clearances			
Side left & right	mm	5	
Top	mm	165	
Top (if using rear flue)	mm	-	
Below	mm	180	300
Front	mm	500	

*Achieved via fitment of a flow restrictor

ecoTEC plus combi

25, 32, 35 and 38kW



Overview

The ecoTEC plus range of boilers are extremely reliable and display all the in-built quality Vaillant is known for. Featuring premium components to give outstanding performance. Thanks to continuous modulation and real combustion control by a multi-sensor system, they achieve high efficiency at the lowest emissions.

The ecoTEC plus is available in a range of power outputs to meet the heating requirement of varying house sizes. Each one is ultra-quiet, awarded the Quiet Mark for innovative reduced noise design by the Noise Abatement Society, and designed for a peaceful home.



Features & Benefits

- **Boiler Plus compliant with Vaillant controls**
Install with vSMART or VRC 700 for smart weather compensated system
- **Premium quality components**
Including brass diverter valve, ensuring highest reliability and performance
- **Wide modulation range of up to 1:6**
Adapts perfectly to all systems in every situation, ensuring lowest fuel bills for your customers
- **Patented stainless steel heat exchanger**
Providing superior heat transfer and highly efficient performance
- **Awarded Quiet Mark accreditation**
One of the quietest boilers in the market, designed for a peaceful home
- **10 year guarantee available**
5 year out of the box, free 7 year when registered on Vaillant Advance, 10 year guarantee available when registered on Advance and installed with a Vaillant Boiler Protection Kit
- **Easy installation and maintenance**
Accessible layout allows all components to be replaced from the boiler front. Removable side panels for even more access
- **Step by step full text installation wizard**
For quicker, "first time right" set up and installation
- **38kW output model available**
Delivers a range of flow rates to suit all properties
- **Dedicated models available for LPG**
Providing a solution for off gas areas
- **Compatible with Vaillant's intelligent range of controls**
Delivers an easy to use and energy efficient system, saving money on energy bills
- **Electronic gas and air modulation system**
Which allows precise self setting gas combustion to improve performance and lower emissions
- **Flame lift detection system**
Enabling more efficient and quieter combustion
- **Push fit flue system with industry leading flue lengths**
80/125 vertical flue lengths of up to 32m for greater installation flexibility
- **Large backlit plain text display**
Delivers clear visibility in poor light conditions and easy reading of current boiler operation
- **Features Vaillant's exclusive AquaComfort system**
Provides quick delivery of hot water at a constant temperature, which prevents unnecessary water wastage
- **Integrated filling loop**
Makes installation even quicker
- **Built-in two-stage frost protection**
Ensuring optimal performance all year round

Technical data	Unit of measure	ecoTEC plus 825	ecoTEC plus 832	ecoTEC plus 832 LPG	ecoTEC plus 835	ecoTEC plus 838
General						
Boiler type		combi				
Signature model output	kW	25	32	32	35	38
Article number		0010021823	0010021824	0010021825	0010021822	0010021826
Gas Council number		47-044-83	47-044-84	47-044-85	47-044-82	47-044-86
Boiler dimensions (HxWxD)	mm	720 x 440 x 338			720 x 440 x 372	720 x 440 x 406
Heating						
Nominal heat output range at 50/30 °C (Condensing mode)	kW	4.2 - 20.4	5.7 - 25.7	6.7 - 25.7	6.4 - 32.2	7.1 - 30.1
Nominal heat output range at 80/60 °C (Non condensing mode)	kW	3.8 - 19.3	5.2 - 24.4	6.0 - 24.4	5.8 - 30.4	6.5 - 28.6
Maximum flow temperature	°C	85				
Flow temperature range	°C	30 - 80				
Flow temperature factory setting	°C	75				
Approximate condensate volume at 50/30 °C	litres/hr	2.0	2.5		3.1	2.9
Modulation (max/min)	1 : X	1:6.7	1:6.1	1:5.3	1:6.0	1:6.0
Domestic Hot Water						
Maximum heat output for water generation	kW	25.4	31.8		35.0	38.7
Lowest water pressure to operate boiler	bar	0.35				
Lowest water flow for operation	l/min	2				
Lowest water pressure for maximum flow rate	bar	0.8				
Domestic hot water flow rate (at Δt = 35K)	l/min	10.5	13.0		14.3	15.9
Domestic hot water flow rate (at Δt = 42K)*	l/min	8.8	10.9		11.9	13.2
Hot water output temperature range	°C	35 - 65				
Mechanical						
Expansion vessel size	litres	10				
Gas inlet connection (pipe size)	mm	15				
Heating flow and return connections (pipe size)	mm	22				
Hot and cold water connections (pipe size)	mm	15				
Heat exchanger material	Stainless / Aluminium	Stainless Steel				
Boiler lift weight (Dry boiler)	kg	36	37		38	43
Maximum horizontal flue length 60/100	m	12	5.5			
Rear flue options	YES/NO	No				
Permissible flue classifications		C13, C33, C43, C53				
Performance						
NOx (En 15502-2-1)	mg/kWh	32	35	55	34	29
ErP efficiency (Heating / DHW)	A, A/A, A+	A / A				
ErP efficiency	%	94				
ErP decibel rating (sound power)	dBa	47			45	46
Minimum Clearances						
Side left & right	mm	5				
Top	mm	165				
Top (if using rear flue)	mm	-				
Below	mm	180				
Front	mm	500				

*Achieved via fitment of a flow restrictor

ecoTEC plus storage combi

38kW



Overview

The ecoTEC plus 938 is a 38kW high efficiency storage combination boiler which has been designed especially for larger homes which have a higher hot water demand.

The ecoTEC plus 938 also features an innovative integrated hot water storage device at the back of the boiler. This special feature means the product is capable of delivering up to 20 litres of hot water per minute.



Features & Benefits

- **Boiler Plus compliant with Vaillant controls**
Install with vSMART or VRC 700 for smart weather compensated system
- **Premium quality components**
Including brass diverter valve, ensuring highest reliability and performance
- **Wide modulation range of up to 1:6**
Adapts perfectly to all systems in every situation, ensuring lowest fuel bills for your customers
- **Patented stainless steel heat exchanger**
Providing superior heat transfer and highly efficient performance
- **Awarded Quiet Mark accreditation**
One of the quietest boilers in the market, designed for a peaceful home
- **10 year guarantee available**
5 year out of the box, free 7 year when registered on Vaillant Advance, 10 year guarantee available when registered on Advance and installed with a Vaillant Boiler Protection Kit
- **Easy installation and maintenance**
Accessible layout allows all components to be replaced from the boiler front. Removable side panels for even more access
- **Step by step full text installation wizard**
For quicker, "first time right" set up and installation
- **An innovative 38kW solution for large homes**
An integrated hot water storage device (actoSTOR), delivers a range of flow rates to suit all properties
- **Compatible with Vaillant's intelligent range of controls**
Delivers an easy to use and energy efficient system, saving money on energy bills
- **Electronic gas and air modulation system**
Which allows precise self setting gas combustion to improve performance and lower emissions
- **Flame lift detection system**
Enabling more efficient and quieter combustion
- **Push fit flue system with industry leading flue lengths**
80/125 vertical flue lengths of up to 32m for greater installation flexibility
- **Large backlit plain text display**
Delivers clear visibility in poor light conditions and easy reading of current boiler operation
- **Features Vaillant's exclusive AquaComfort system**
Provides quick delivery of hot water at a constant temperature, which prevents unnecessary water wastage

Technical data	Unit of measure	ecoTEC plus 938
General		
Boiler type		storage combi
Signature model output	kW	38
Article number		0010021827
Gas Council number		47-044-87
Boiler dimensions (HxWxD)	mm	720 x 440 x 600
Heating		
Nominal heat output range at 50/30 °C (Condensing mode)	kW	7.1 - 30.1
Nominal heat output range at 80/60 °C (Non condensing mode)	kW	6.4 - 28.6
Maximum flow temperature	°C	85
Flow temperature range	°C	30 - 80
Flow temperature factory setting	°C	75
Approximate condensate volume at 50/30 °C	litres/hr	2.9
Modulation (max/min)	1 : X	1:6.0
Domestic Hot Water		
Maximum heat output for water generation	kW	38.7
Lowest water pressure to operate boiler	bar	0.35
Lowest water flow for operation	l/min	2
Lowest water pressure for maximum flow rate	bar	0.8
Domestic hot water flow rate (at $\Delta t = 35K$)	l/min	15.9
Domestic hot water flow rate (at $\Delta t = 42K$)*	l/min	13.2
Hot water output temperature range	°C	35 - 65
Mechanical		
Expansion vessel size	litres	10
Gas inlet connection (pipe size)	mm	15
Heating flow and return connections (pipe size)	mm	22
Hot and cold water connections (pipe size)	mm	15
Heat exchanger material	Stainless / Aluminium	Stainless Steel
Boiler lift weight (Dry boiler)	kg	43+17
Maximum horizontal flue length 60/100	m	5.5
Rear flue options	YES/NO	No
Permissible flue classifications		C13, C33, C43, C53
Performance		
NOx (En 15502-2-1)	mg/kWh	34
ErP efficiency (Heating / DHW)	A, A/A, A+	A / A
ErP efficiency	%	94
ErP decibel rating (sound power)	dBa	45
Minimum Clearances		
Side left & right	mm	5
Top	mm	165
Top (if using rear flue)	mm	-
Below	mm	180
Front	mm	500

*Achieved via fitment of a flow restrictor

ecoTEC pro combi

24, 28 and 30kW



Overview

The ecoTEC pro range of combination boilers combine the built-in quality, reliability and performance you'd expect from Vaillant, with a simple design and approach.

The range features 24, 28 and 30kW models, making this boiler perfect for homes with a smaller heating and hot water requirements.



Features & Benefits

- **Boiler Plus compliant with Vaillant controls**
Install with VRT 350 or VRT 50 + timesWITCH 150 for load compensated system
- **Premium quality components**
Ensuring highest reliability and performance
- **Wide modulation range of up to 1:5**
Adapts perfectly to all systems in every situation, ensuring lowest fuel bills for your customers
- **Patented stainless steel heat exchanger**
Providing superior heat transfer and highly efficient performance
- **Awarded Quiet Mark accreditation**
One of the quietest boilers in the market, designed for a peaceful home
- **7 year guarantee available**
2 year out of the box, free 7 year when registered on Vaillant Advance
- **Easy installation and maintenance**
Accessible layout allows all components to be replaced from the boiler front. Removable side panels for even more access
- **30kW output model available**
Delivers a range of flow rates to suit all properties
- **Dedicated models available for LPG**
Providing a solution for off gas areas
- **Compatible with Vaillant's intelligent range of controls**
Delivers an easy to use and energy efficient system, saving money on energy bills
- **Pneumatic gas and air modulation system**
Which allows precise self setting gas combustion to improve performance and lower emissions
- **Push fit flue system with industry leading flue lengths**
80/125 vertical flue lengths of up to 41m for greater installation flexibility
- **Backlit easy to follow symbol display**
Delivers clear visibility in poor light conditions and easy reading of current boiler operation
- **Features Vaillant's exclusive AquaComfort system**
Provides quick delivery of hot water at a constant temperature, which prevents unnecessary water wastage
- **ErP A rated boiler range**
Delivers highest efficiency and lowest running costs
- **Built-in two-stage frost protection**
Ensuring optimal performance all year round
- **Compatible with Heat Pump Hybrid system**
Offer a renewable solution by installing with aroTHERM heat pump hybrid system

Technical data	Unit of measure	ecoTEC pro 24	ecoTEC pro 28	ecoTEC pro 28 LPG	ecoTEC pro 30
General					
Boiler type		combi			
Signature model output	kW	24	28		30
Article number		0010021836	0010021837	0010021838	0010016538
Gas Council number		47-044-88	47-044-89	47-044-90	47-044-52
Boiler dimensions (HxWxD)	mm	720 x 440 x 338			
Heating					
Nominal heat output range at 50/30 °C (Condensing mode)	kW	5.9 - 24.8	6.9 - 25.9	9 - 25.3	6.9 - 25.7
Nominal heat output range at 80/60 °C (Non condensing mode)	kW	5.2 - 23	6.2 - 24	8.2 - 24	8 - 24.7
Maximum flow temperature	°C	85			
Flow temperature range	°C	30 - 80			
Flow temperature factory setting	°C	75			
Approximate condensate volume at 50/30 °C	litres/hr	1.9			2.5
Modulation (max/min)	1 : X	1:4.3	1:5	1:3.6	1:3.8
Domestic Hot Water					
Maximum heat output for water generation	kW	23.4	27.2	27.2	30.6
Lowest water pressure to operate boiler	bar	0.3			
Lowest water flow for operation	l/min	2			
Lowest water pressure for maximum flow rate	bar	0.8			
Domestic hot water flow rate (at Δt = 35K)	l/min	9.6	11.1	11.1	12.3
Domestic hot water flow rate (at Δt = 42K)*	l/min	8.0	9.3		10.2
Hot water output temperature range	°C	35 - 65			
Mechanical					
Expansion vessel size	litres	8			
Gas inlet connection (pipe size)	mm	15			
Heating flow and return connections (pipe size)	mm	22			
Hot and cold water connections (pipe size)	mm	15			
Heat exchanger material	Stainless / Aluminium	Stainless Steel			
Boiler lift weight (Dry boiler)	kg	38			39
Maximum horizontal flue length 60/100	m	12			
Rear flue options	YES/NO	No			
Permissible flue classifications		C13, C33, C43, C53			
Performance					
NOx (En 15502-2-1)	mg/kWh	27		28	30
ErP efficiency (Heating / DHW)	A, A/A, A+	A / A			
ErP efficiency	%	94			93
ErP decibel rating (sound power)	dBa	49			
Minimum Clearances					
Side left & right	mm	5			
Top	mm	165			
Top (if using rear flue)	mm	-			
Below	mm	180			
Front	mm	500			

*Achieved via fitment of a flow restrictor

ecoFIT pure combi

25, 30, 35kW



Overview

Ultra-quiet operation, small footprint and total flexibility of siting (with top and rear flue options) mean that the ecoFIT pure range fits in with your customers' needs.

The automatic purging assistance and high specification, automotive grade, aluminium heat exchanger makes for a lightweight installation.

High quality and high efficiency, together with the complete availability of spare parts and the easy accessibility of the unit layout mean the ecoFIT pure is easy to maintain too.



Features & Benefits

■ 4-sided cooling and water agitation of the heat exchanger

Reducing stress on the heat exchanger for longer life reliability and reduced maintenance costs

■ Boiler Plus compliant with Vaillant controls

Install with VRT 350 or VRT 50 + timeSWITCH 150 for load compensated system

■ Premium quality components

Ensuring highest reliability and performance

■ Wide modulation range of 1:5

Adapts perfectly to all systems in every situation, ensuring lowest fuel bills for your customers

■ High-specification aluminium heat exchanger

Designed for longer life, easier maintenance and reduces energy bills

■ Awarded Quiet Mark accreditation

One of the quietest boilers in the market, designed for a peaceful home

■ 7 year guarantee available

2 year out of the box, free 7 year when registered on Vaillant Advance

■ Easy installation and maintenance

Accessible layout allows all components to be replaced from the boiler front. Removable side panels for even more access

■ Compact, cupboard fit solution

Smaller boiler footprint, offering flexibility of siting, including a cupboard fit

■ 35kW output model available

Delivers a range of flow rates to suit all properties

■ Compatible with Vaillant's intelligent range of controls

Delivers an easy to use and energy efficient system, saving money on energy bills

■ Pneumatic gas and air modulation system

Which allows precise self setting gas combustion to improve performance and lower emissions

■ Top and rear flue options

Allows flexible siting options, cupboard fit and installs in various property types

■ Push fit flue system with industry leading flue lengths

80/125 vertical flue lengths of up to 25m for greater installation flexibility

■ Bright clear LED display

Delivers clear visibility in poor light conditions and easy reading of current boiler operation

■ ErP A rated boiler range

Delivers highest efficiency and lowest running costs

■ Integrated filling loop

Makes installation even quicker

Technical data	Unit of measure	ecoFIT pure 825	ecoFIT pure 830	ecoFIT pure 835
General				
Boiler type		combi		
Signature model output	kW	25	30	35
Article number		0010020389	0010020390	0010020391
Gas Council number		47-044-68	47-044-74	47-044-70
Boiler dimensions (HxWxD)	mm	700 x 390 x 295		
Heating				
Nominal heat output range at 50/30 °C (Condensing mode)	kW	5.3 - 19.1	6.3 - 26.5	7.5 - 26.7
Nominal heat output range at 80/60 °C (Non condensing mode)	kW	5 - 18.3	6.1 - 25.4	7.2 - 25.6
Maximum flow temperature	°C	80		
Flow temperature range	°C	10-80		
Flow temperature factory setting	°C	75		
Approximate condensate volume at 50/30 °C	litres/hr	1.84	2.55	2.57
Modulation (max/min)	1 : X	1:5.1	1:4.9	1:5
Domestic Hot Water				
Maximum heat output for water generation	kW	25.2	30	35
Lowest water pressure to operate boiler	bar	0.3		
Lowest water flow for operation	l/min	2		
Lowest water pressure for maximum flow rate	bar	2		
Domestic hot water flow rate (at $\Delta t = 35K$)	l/min	10.4	12.2	14.1
Domestic hot water flow rate (at $\Delta t = 42K$)*	l/min	8.2	10.4	12.0
Hot water output temperature range	°C	35 - 60		
Mechanical				
Expansion vessel size	litres	8		
Gas inlet connection (pipe size)	mm	15		
Heating flow and return connections (pipe size)	mm	22		
Hot and cold water connections (pipe size)	mm	15		
Heat exchanger material	Stainless / Aluminium	Aluminium		
Boiler lift weight (Dry boiler)	kg	32	33	
Maximum horizontal flue length 60/100	m	10		
Rear flue options	YES/NO	Yes		
Permissible flue classifications		C13, C33, C43, C53		
Performance				
NOx (En 15502-2-1)	mg/kWh	38	39	39
ErP efficiency (Heating / DHW)	A, A/A, A+	A / A		
ErP efficiency	%	94		
ErP decibel rating (sound power)	dBa	49	51	52
Minimum Clearances				
Side left & right	mm	5		
Top	mm	150		
Top (if using rear flue)	mm	20		
Below	mm	150		
Front	mm	600		

*Achieved via fitment of a flow restrictor

ecoTEC exclusive system

with Green iQ

27kW

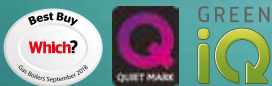


Overview

The ecoTEC exclusive is our first ever boiler product with Green iQ technology. Combining our complete range of smart technologies and features, you can be sure you're fitting the very best when you fit new ecoTEC exclusive.

As well as providing great performance, the ecoTEC exclusive intelligently manages consumption and output to keep all its components running at peak performance, for longer, providing a low maintenance solution that you can rely on.

The ecoTEC exclusive system boiler includes an integrated diverter valve for the first time in UK Vaillant history.



Features & Benefits

Green iQ Mode

Outstanding eco-credentials which optimise running cycles, resulting in even lower gas consumption

Boiler Plus compliant out of the box*

Integrated flue gas heat recovery using extra condense heat exchanger to deliver market leading efficiency

*When fitted with time and temperature controls

Highly recyclable

The ecoTEC exclusive is highly recyclable (85%) at the end of its life

Premium quality components

Ensuring highest reliability and performance

Wide modulation range of up to 1:10

Adapts perfectly to all systems in every situation, ensuring lowest fuel bills for your customers

Patented stainless steel heat exchanger

Providing superior heat transfer and highly efficient performance

Awarded Quiet Mark accreditation

One of the quietest boilers in the market, designed for a peaceful home

10 year guarantee available

5 year out of the box, free 7 year when registered on Vaillant Advance, 10 year guarantee available when registered on Advance and installed with a Vaillant Boiler Protection Kit

Easy installation and maintenance

Accessible layout allows all components to be replaced from the boiler front. Removable side panels for even more access

Step by step full text installation wizard

For quicker, "first time right" set up and installation

All-gas system

Always reaches optimal combustion with lowest emissions. As a self-adaptive system, it automatically adjusts to all types of gas

Compatible with Vaillant's intelligent range of controls

Delivers an easy to use and energy efficient system, saving money on energy bills

Integrated 3-way valve

4-pipe system with load compensation in DHW and CH modes. No more complex wiring systems, junction boxes or external zone valves

Push fit flue system with industry leading flue lengths

80/125 vertical flue lengths of up to 34m for greater installation flexibility

Technical data	Unit of measure	ecoTEC exclusive 627
General		
Boiler type		system
Signature model output	kW	27
Article number		0010017063
Gas Council number		41-694-02
Boiler dimensions (HxWxD)	mm	720 x 440 x 338
Heating		
Nominal heat output range at 50/30 °C (Condensing mode)	kW	3.4 - 26.7
Nominal heat output range at 80/60 °C (Non condensing mode)	kW	3.0 - 24.7
Maximum flow temperature	°C	85
Flow temperature range	°C	30 - 80
Flow temperature factory setting	°C	75
Approximate condensate volume at 50/30 °C	litres/hr	2.52
Modulation (max/min)	1 : X	1:8.9
Mechanical		
Expansion vessel size	litres	10
Gas inlet connection (pipe size)	mm	15
Heating flow and return connections (pipe size)	mm	22
Heat exchanger material	Stainless / Aluminium	Stainless Steel
Boiler lift weight (Dry boiler)	kg	37.5
Maximum horizontal flue length 60/100	m	5.5
Rear flue options	YES/NO	No
Permissible flue classifications		C13, C33, C43, C53
Performance		
NOx (En 15502-2-1)	mg/kWh	30
ErP efficiency (Heating / DHW)	A, A/A, A+	A / -
ErP efficiency	%	94
ErP decibel rating (sound power)	dBa	46
Minimum Clearances		
Side left & right	mm	5
Top	mm	165
Top (if using rear flue)	mm	-
Below	mm	180
Front	mm	500



Did you know... we have a wide variety of domestic and commercial cylinders. Find out more on **pages 39 - 42**. For information on the full available range, visit our website or contact your local Vaillant representative today.

ecoTEC plus system

12, 15, 18, 24, 30, and 37kW



Overview

The ecoTEC plus range of system boilers are extremely reliable and display all the in-built quality Vaillant is known for. Featuring premium components to give outstanding performance. Thanks to continuous modulation and real combustion control by a multi-sensor system, they achieve high efficiency at the lowest emissions.

The ecoTEC plus is available in a wide range of power outputs to meet the heating requirement of varying house sizes.



Features & Benefits

■ Boiler Plus compliant with time and temperature controls

Install with VRT 15, timeSWITCH 160 and VR 66 wiring centre for the easiest way to meet Boiler Plus

■ Premium quality components

Ensuring highest reliability and performance

■ Wide modulation range of up to 1:6

Adapts perfectly to all systems in every situation, ensuring lowest fuel bills for your customers

■ Patented stainless steel heat exchanger

Providing superior heat transfer and highly efficient performance

■ Awarded Quiet Mark accreditation

One of the quietest boilers in the market, designed for a peaceful home

■ 10 year guarantee available

5 year out of the box, free 7 year when registered on Vaillant Advance, 10 year guarantee available when registered on Advance and installed with a Vaillant Boiler Protection Kit

■ Easy installation and maintenance

Accessible layout allows all components to be replaced from the boiler front. Removable side panels for even more access

■ Step by step full text installation wizard

For quicker, "first time right" set up and installation

■ Dedicated models available for LPG

Providing a solution for off gas areas

■ Electronic gas and air modulation system

Which allows precise self setting gas combustion to improve performance and lower emissions

■ Flame lift detection system

Enabling more efficient and quieter combustion

■ Push fit flue system with industry leading flue lengths

80/125 vertical flue lengths of up to 41m for greater installation flexibility

■ Large backlit plain text display

Delivers clear visibility in poor light conditions and easy reading of current boiler operation

■ ErP A rated boiler range

Delivers highest efficiency and lowest running costs

■ Compatible with Heat Pump Hybrid system

Offer a renewable solution by installing with aroTHERM heat pump hybrid system

■ Precise German engineering and design

Quality manufacturing from award winning factory in Derbyshire

■ Recognisable Vaillant fault codes

Making it easy to diagnose faults

System Boilers

Technical data	Unit of measure	ecoTEC plus 612	ecoTEC plus 615	ecoTEC plus 618	ecoTEC plus 618 LPG	ecoTEC plus 624	ecoTEC plus 630	ecoTEC plus 630 LPG	ecoTEC plus 637	
General										
Boiler type		system								
Signature model output	kW	12	15	18		24	30		37	
Article number		0010021828	0010021829	0010021830	0010021831	0010021832	0010021833	0010021834	0010021835	
Gas Council number		41-694-20	41-694-21	41-694-22	41-694-23	41-694-24	41-694-25	41-694-26	41-694-27	
Boiler dimensions (HxWxD)	mm	720 x 440 x 338					720 x 440 x 372		720 x 440 x 406	
Heating										
Nominal heat output range at 50/30°C (Condensing mode)	kW	3.3 - 12.9	3.3 - 16.1	4.1 - 19.3	5.5 - 19.3	5.7 - 25.7	6.4 - 32.2	9.4 - 32.1	7.1 - 39.6	
Nominal heat output range at 80/60°C (Non condensing mode)	kW	3.0 - 12.2	3.0 - 15.4	3.8 - 18.5	5.0 - 18.2	5.2 - 24.4	5.8 - 30.4	8.5 - 30.4	6.4 - 37.6	
Maximum flow temperature	°C	85								
Flow temperature range	°C	30 - 80								
Flow temperature factory setting	°C	75								
Approximate condensate volume at 50/30°C	litres/hr	1.2	1.6	1.9		2.5	3.1		3.8	
Modulation (max/min)	1 : X	1:4.1	1:5.1	1:4.9	1:3.7	1:4.7	1:5.2		1:5.9	
Mechanical										
Expansion vessel size	litres	10								
Gas inlet connection (pipe size)	mm	15								
Heating flow and return connections (pipe size)	mm	22								
Heat exchanger material	Stainless / Aluminium	Stainless Steel								
Boiler lift weight (Dry boiler)	kg	36				37	38	43		
Maximum horizontal flue length 60/100	m	22.0		12.0		5.5				
Rear flue options	YES/NO	No								
Permissible flue classifications		C13, C33, C43, C53								
Performance										
NOx (En 15502-2-1)	mg/kWh	23	23	29	39	35	29	64	36	
ErP efficiency (Heating / DHW)	A, A/A, A+	A / -								
ErP efficiency	%	94								
ErP decibel rating (sound power)	dBa	43			47		46		50	
Minimum Clearances										
Side left & right	mm	5								
Top	mm	165								
Top (if using rear flue)	mm	-								
Below	mm	180								
Front	mm	500								



Did you know... we have a wide variety of domestic and commercial cylinders. Find out more on **pages 39 - 42**. For information on the full available range, visit our website or contact your local Vaillant representative today.

ecoTEC plus system

48 and 64kW



Overview

The brand new ecoTEC plus 48 and 64kW boilers are compact in size and extremely lightweight. The front and side panels can be removed, for much easier access in tight and restrictive spaces.

The internal ducted rain collector prevents rain ingress from the flue system depositing in the boiler casing, and the new gunmetal air separation device prevents unwanted vented emissions within the case, both of which help to protect the internal electronics within the boiler. ecoTEC plus 48 and 64kW can be converted to LPG to cater for projects that are unable to use a natural gas supply and can also be cascaded for projects over 70kW.

Features & Benefits

■ Boiler Plus compliant with time and temperature controls

Install with VRT 15, timeSWITCH 160 and VR 66 wiring centre for the easiest way to meet Boiler Plus

■ Compact dimensions

For easy siting in tight spaces the boilers have dimensions of 720mm high x 440mm wide

■ ErP A+ rated

When installed with a class VI control

■ High efficiency pump

The inbuilt ErP pump is able to match the high performance of the boiler straightforward

■ Low NOx burner system

Levels as low as 29mg/kWh minimises environmental impact

■ Premium quality components

Ensuring highest reliability and performance

■ Wide modulation range of up to 1:5

Adapts perfectly to all systems in every situation, ensuring lowest fuel bills for your customers

■ Patented stainless steel heat exchanger

Providing superior heat transfer and highly efficient performance

■ Easy installation and maintenance

Accessible layout allows all components to be replaced from the boiler front. Removable side panels for even more access

■ Step by step full text installation wizard

For quicker, first time right set up and installation

■ Compatible with LPG

Providing a solution for off gas areas

■ Electronic gas and air modulation system

Which allows precise self setting gas combustion to improve performance and lower emissions

■ A range of push fit flue systems available

80/125 vertical, horizontal and facade flue accessories for greater installation flexibility

■ Large backlit plain text display

Delivers clear visibility in poor light conditions and easy reading of current boiler operation

■ Built-in two-stage frost protection

Ensuring optimal performance all year round

■ Compatible with Heat Pump Hybrid system

Offer a renewable solution by installing with aroTHERM heat pump hybrid system

■ Recognisable Vaillant fault codes

Making it easy to diagnose faults

■ Out of the box guarantees

5 year guarantee as standard, for added peace of mind

■ Ability to cascade

Allows flexibility when installing in larger properties whilst working in conjunction with larger output ecoTEC plus's, the boilers are able to operate up to 4bar

Technical data	Unit of measure	ecoTEC plus 48	ecoTEC plus 64
General			
Boiler type		System	
Signature model output	kW	48	64
Article number		0010021520	0010021521
Gas Council number		41-694-28	41-694-29
Boiler dimensions (HxWxD)	mm	720 x 440 x 405	720 x 440 x 473
Heating			
Nominal heat output range at 50/30°C (Condensing mode)	kW	8.7 - 48.0	12.2 - 63.5
Nominal heat output range at 80/60°C (Non condensing mode)	kW	7.8 - 44.1	11.0 - 58.7
Conversion to LPG G31 at 37mb at 50/30°C (Conversion kit by installer on site necessary)	kW	8.6 - 46.6	12.0 - 62.1
Conversion to LPG G31 at 37mb at 80/60°C (Conversion kit by installer on site necessary)	kW	7.8 - 44.0	11.0 - 58.4
Maximum flow temperature	°C	80	
Flow temperature range	°C	30 - 80	
Flow temperature factory setting	°C	75	
Approximate condensate volume at 50/30°C	litres/hr	5.0	6.9
Modulation (max/min)	1 : X	1:5.5 (18%)	1:5.2 (19%)
Lowest water pressure to operate boiler	bar	0.8	
Nominal flow rate (at DT = 20K)	l/hr	1900	2500
Mechanical			
Expansion vessel size	litres	Available as an accessory	
Gas inlet connection (pipe size)	BSP female	1"	
Heating flow and return connections (pipe size)	BSP female	1 1/4"	
Heat exchanger material	Stainless / Aluminium	Stainless steel	
Boiler lift weight (Dry boiler - includes pump)	kg	38	48
Maximum horizontal flue length 80/125	m	18	15
Rear flue options	YES/NO	No	
Permissible flue classifications		C13, C33, C43, C53, C93, B23, B23p, B53, B53p	
Performance			
NOx (En 15502-2-1)	mg/kWh	30.8	29.1
ErP efficiency* (Heating / DHW)	A, A/A, A+	A+	
ErP efficiency	%	94	
ErP decibel rating (sound power)	dBa	56.5	
Minimum Clearances			
Side left & right	mm	5	
Top	mm	350	
Top (if using rear flue)	mm	-	
Below	mm	400	
Front	mm	500	

*When installed with a VRC 700



Did you know... we have a wide variety of domestic and commercial cylinders. Find out more on **pages 39 - 42**. For information on the full available range, visit our website or contact your local Vaillant representative today.

ecoFIT pure system

12, 15, 18, 25 and 30kW



Overview

Ultra-quiet operation, small footprint and total flexibility of siting (with top and rear flue options) mean that the ecoFIT pure range fits in with your customers' needs.

The automatic purging assistance and high spec, aluminium heat exchanger makes for a lightweight installation.

High quality and high efficiency, together with the complete availability of spare parts and the easy accessibility of the unit layout mean the ecoFIT pure is easy to maintain too.



Features & Benefits

- **Premium quality components**
Ensuring highest reliability and performance
- **Boiler Plus compliant with time and temperature controls**
Install with VRT 15, timeSWITCH 160 and VR 66 wiring centre for the easiest way to meet Boiler Plus
- **Wide modulation range of up to 1:5**
Adapts perfectly to all systems in every situation, ensuring lowest fuel bills for your customers
- **Patented high-specification aluminium heat exchanger**
Designed for longer life, easier maintenance and reduces energy bills
- **7 year guarantee available**
2 year out of the box, free 7 year when registered on Vaillant Advance
- **Easy installation and maintenance**
Accessible layout allows all components to be replaced from the boiler front. Removable side panels for even more access
- **Pneumatic gas and air modulation system**
Which allows precise self setting gas combustion to improve performance and lower emissions
- **Top and rear flue options**
Allows flexible siting options, cupboard fit and installs in various property types
- **Push fit flue system with industry leading flue lengths**
80/125 vertical flue lengths of up to 25m for greater installation flexibility
- **Bright clear LED display**
Delivers clear visibility in poor light conditions and easy reading of current boiler operation
- **ErP A rated boiler range**
Delivers highest efficiency and lowest running costs
- **Built-in two-stage frost protection**
Ensuring optimal performance all year round
- **Patented 4-sided cooling and water agitation of the heat exchanger**
Reducing stress on the heat exchanger for longer life reliability and reduced maintenance costs
- **Precise German engineering and design**
Quality manufacturing from award winning factory in Derbyshire
- **Recognisable Vaillant fault codes**
Making it easy to diagnose faults

Technical data	Unit of measure	ecoFIT pure 612	ecoFIT pure 615	ecoFIT pure 618	ecoFIT pure 625	ecoFIT pure 630
General						
Boiler type		system				
Signature model output	kW	12	15	18	25	30
Article number		0010020395	0010020396	0010020397	0010020398	0010020399
Gas Council number		41-694-03	41-694-04	41-694-05	41-694-06	41-694-07
Boiler dimensions (HxWxD)	mm	700 x 390 x 295				
Heating						
Nominal heat output range at 50/30 °C (Condensing mode)	kW	4.7 - 12.8	4.7 - 15.9	5.2 - 19.1	6.4 - 26.5	7.5 - 31.8
Nominal heat output range at 80/60 °C (Non condensing mode)	kW	4.5 - 12.3	4.5 - 15.2	5 - 18.3	6.1 - 25.4	7.2 - 30.5
Maximum flow temperature	°C	80				
Flow temperature range	°C	10 - 80				
Flow temperature factory setting	°C	75				
Approximate condensate volume at 50/30 °C	litres/hr	1.23	1.53	1.84	2.55	3.06
Modulation (max/min)	1 : X	1:3.3	1:4	1:5	1:4.9	1:4.9
Mechanical						
Expansion vessel size	litres	8				
Gas inlet connection (pipe size)	mm	15				
Heating flow and return connections (pipe size)	mm	22				
Heat exchanger material	Stainless / Aluminium	Aluminium				
Boiler lift weight (Dry boiler)	kg	31			32	
Maximum horizontal flue length 60/100	m	10				
Rear flue options	YES/NO	Yes				
Permissible flue classifications		C13, C33, C43, C53				
Performance						
NOx (En 15502-2-1)	mg/kWh	32	33	39		40
ErP efficiency (Heating / DHW)	A, A/A, A+	A / -				
ErP efficiency	%	94				
ErP decibel rating (sound power)	dBa	45	48	49	51	54
Minimum Clearances						
Side left & right	mm	5				
Top	mm	150				
Top (if using rear flue)	mm	20				
Below	mm	150				
Front	mm	600				



Did you know... we have a wide variety of domestic and commercial cylinders. Find out more on **pages 39 - 42**. For information on the full available range, visit our website or contact your local Vaillant representative today.

ecoTEC plus open vent

12, 15, 18, 24, 30 and 35kW



Overview

The ecoTEC plus range of boilers are extremely reliable and display all the in-built quality Vaillant is known for. Featuring premium components to give outstanding performance.

The ecoTEC plus open vent range of boilers feature an aluminium heat exchanger with wide waterways, making this the ideal boiler for older properties.



Features & Benefits

- **Wide modulation range of up to 1:5**
Adapts perfectly to all systems in every situation, ensuring lowest fuel bills for your customers
- **Boiler Plus compliant with time and temperature controls**
Install with VRT 15, timeSWITCH 160 and VR 66 wiring centre for the easiest way to meet Boiler Plus
- **High-specification aluminium heat exchanger**
Designed for longer life, easier maintenance and reduces energy bills
- **10 year guarantee available**
5 year out of the box, free 7 year when registered on Vaillant Advance, 10 year guarantee available when registered on Advance and installed with a Vaillant Boiler Protection Kit
- **Easy installation and maintenance**
Accessible layout allows all components to be replaced from the boiler front. Removable side panels for even more access
- **Compact, cupboard fit solution**
Smaller boiler footprint, offering flexibility of siting, including a cupboard fit
- **Dedicated model available for LPG**
Providing a solution for off gas areas
- **Electronic gas and air modulation system**
Which allows precise self setting gas combustion to improve performance and lower emissions
- **Top and rear flue options**
Allows flexible siting options and installs in various property types
- **Push fit flue system with industry leading flue lengths**
80/125 vertical flue lengths of up to 25m for greater installation flexibility
- **Large backlit plain text display**
Delivers clear visibility in poor light conditions and easy reading of current boiler operation
- **ErP A rated boiler range**
Delivers highest efficiency and lowest running costs
- **Compatible with Heat Pump Hybrid system**
Offer a renewable solution by installing with aroTHERM heat pump hybrid system

Open Vent Boilers

Technical data	Unit of measure	ecoTEC plus 412	ecoTEC plus 415	ecoTEC plus 418	ecoTEC plus 424	ecoTEC plus 424 LPG	ecoTEC plus 430	ecoTEC plus 435
General								
Boiler type		open vent						
Signature model output	kW	12	15	18	24		30	35
Article number		0010021220	0010021221	0010021222	0010021223	0020231355	0010021224	0010015674
Gas Council number		41-694-13	41-694-14	41-694-15	41-694-16	41-694-18	41-694-17	41-044-76
Boiler dimensions (HxWxD)	mm	602 x 375 x 320						
Heating								
Nominal heat output range at 50/30°C (Condensing mode)	kW	4.7 - 12.8	4.7 - 15.9	5.2 - 19.1	6.3 - 25.7	8.0 - 25.7	7.5 - 31.8	7.5 - 37.1
Nominal heat output range at 80/60°C (Non condensing mode)	kW	4.5 - 12.3	4.5 - 15.2	5 - 18.3	6.1 - 24.6	7.6 - 24.3	7.2 - 30.5	7.1 - 35.1
Maximum flow temperature	°C	80						
Flow temperature range	°C	10 - 80						
Flow temperature factory setting	°C	75						
Approximate condensate volume at 50/30°C	litres/hr	1.23	1.53	1.84	2.47		3.06	3.57
Modulation (max/min)	1 : X	1:2.8	1:3.5	1:3.8	1:4.2	1:3.4	1:4.4	1:5.2
Mechanical								
Gas inlet connection (pipe size)	mm	15						
Heating flow and return connections (pipe size)	mm	22						
Heat exchanger material	Stainless / Aluminium	Aluminium						
Boiler lift weight (Dry boiler)	kg	23.5			23.8			
Maximum horizontal flue length 60/100	m	10				0.7*	10	
Rear flue options	YES/NO	Yes				No	Yes	
Permissible flue classifications		C13, C33, C43, C53 (LPG option can only be fitted with top horizontal flue supplied)						
Performance								
NOx (En 15502-2-1)	mg/kWh	32	33	39	39	35	40	29
ErP efficiency (Heating / DHW)	A, A/A, A+	A / -						
ErP efficiency	%	94						
ErP decibel rating (sound power)	dBa	45	48	51	52	49	55	53
Minimum Clearances								
Side left & right	mm	5						
Top	mm	150						
Top (if using rear flue)	mm	20						
Below	mm	150						
Front	mm	600						

*Cannot be extended with any other standard Vaillant flue component. 0.7m flue is supplied with this boiler.



Did you know... we have a wide variety of domestic and commercial cylinders. Find out more on **pages 39 - 42**. For information on the full available range, visit our website or contact your local Vaillant representative today.

ecoFIT pure open vent

12, 15, 18, 25, 30 and 35kW



Overview

Ultra-quiet operation, small footprint and total flexibility of siting (with top and rear flue options) mean that the ecoFIT pure range fits in with your customers' needs.

The automatic purging assistance and high specification, aluminium heat exchanger makes for a lightweight installation.

High quality and high efficiency, together with the complete availability of spare parts and the easy accessibility of the unit layout mean the ecoFIT pure is easy to maintain too.



Features & Benefits

- **Premium quality components**
Ensuring highest reliability and performance
- **Boiler Plus compliant with time and temperature controls**
Install with VRT 15, timeSWITCH 160 and VR 66 wiring centre for the easiest way to meet Boiler Plus
- **Wide modulation range of up to 1:5**
Adapts perfectly to all systems in every situation, ensuring lowest fuel bills for your customers
- **High-specification aluminium heat exchanger**
Designed for longer life, easier maintenance and reduces energy bills
- **7 year guarantee available**
2 year out of the box, free 7 year when registered on Vaillant Advance
- **Easy installation and maintenance**
Accessible layout allows all components to be replaced from the boiler front. Removable side panels for even more access
- **Compact, cupboard fit solution**
Smaller boiler footprint, offering flexibility of siting, including a cupboard fit
- **Pneumatic gas and air modulation system**
Which allows precise self setting gas combustion to improve performance and lower emissions
- **Top and rear flue options**
Allows flexible siting options, cupboard fit and installs in various property types
- **Push fit flue system with industry leading flue lengths**
80/125 vertical flue lengths of up to 25m for greater installation flexibility
- **Bright clear LED display**
Delivers clear visibility in poor light conditions and easy reading of current boiler operation
- **ErP A rated boiler range**
Delivers highest efficiency and lowest running costs
- **Built-in two-stage frost protection**
Ensuring optimal performance all year round
- **4-sided cooling and water agitation of the heat exchanger**
Reducing stress on the heat exchanger for longer life reliability and reduced maintenance costs
- **Precise German engineering and design**
Quality manufacturing from award winning factory in Derbyshire
- **Recognisable Vaillant fault codes**
Making it easy to diagnose faults

Technical data	Unit of measure	ecoFIT pure 412	ecoFIT pure 415	ecoFIT pure 418	ecoFIT pure 425	ecoFIT pure 430	ecoFIT pure 435
General							
Boiler type		open vent					
Signature model output	kW	12	15	18	25	30	35
Article number		0010020400	0010020401	0010020402	0010020403	0010020404	0010020405
Gas Council number		41-694-08	41-694-09	41-694-10	41-694-11	41-694-12	41-694-19
Boiler dimensions (HxWxD)	mm	602 x 375 x 295					
Heating							
Nominal heat output range at 50/30 °C (Condensing mode)	kW	4.7 - 12.8	4.7 - 15.9	5.2 - 19.1	6.4 - 26.5	7.4 - 31.8	7 - 35.8
Nominal heat output range at 80/60 °C (Non condensing mode)	kW	4.5 - 12.3	4.5 - 15.2	5 - 18.3	6.1 - 25.4	7.1 - 30.5	7.2 - 34.8
Maximum flow temperature	°C	80					
Flow temperature range	°C	10 - 80					
Flow temperature factory setting	°C	75					
Approximate condensate volume at 50/30 °C	litres/hr	1.23	1.53	1.84	2.55	3.06	3.65
Modulation (max/min)	1 : X	1:3.3	1:4	1:5	1:4.9		
Mechanical							
Gas inlet connection (pipe size)	mm	15					
Heating flow and return connections (pipe size)	mm	22					
Heat exchanger material	Stainless / Aluminium	Aluminium					
Boiler lift weight (Dry boiler)	kg	22					23
Maximum horizontal flue length 60/100	m	10					
Rear flue options	YES/NO	Yes					
Permissible flue classifications		C13, C33, C43, C53					
Performance							
NOx (En 15502-2-1)	mg/kWh	32	33	39	39	40	32
ErP efficiency (Heating / DHW)	A, A/A, A+	A / -					
ErP efficiency	%	94					
ErP decibel rating (sound power)	dBa	45	48	51	52	55	
Minimum Clearances							
Side left & right	mm	5					
Top	mm	150					
Top (if using rear flue)	mm	20					
Below	mm	150					
Front	mm	600					

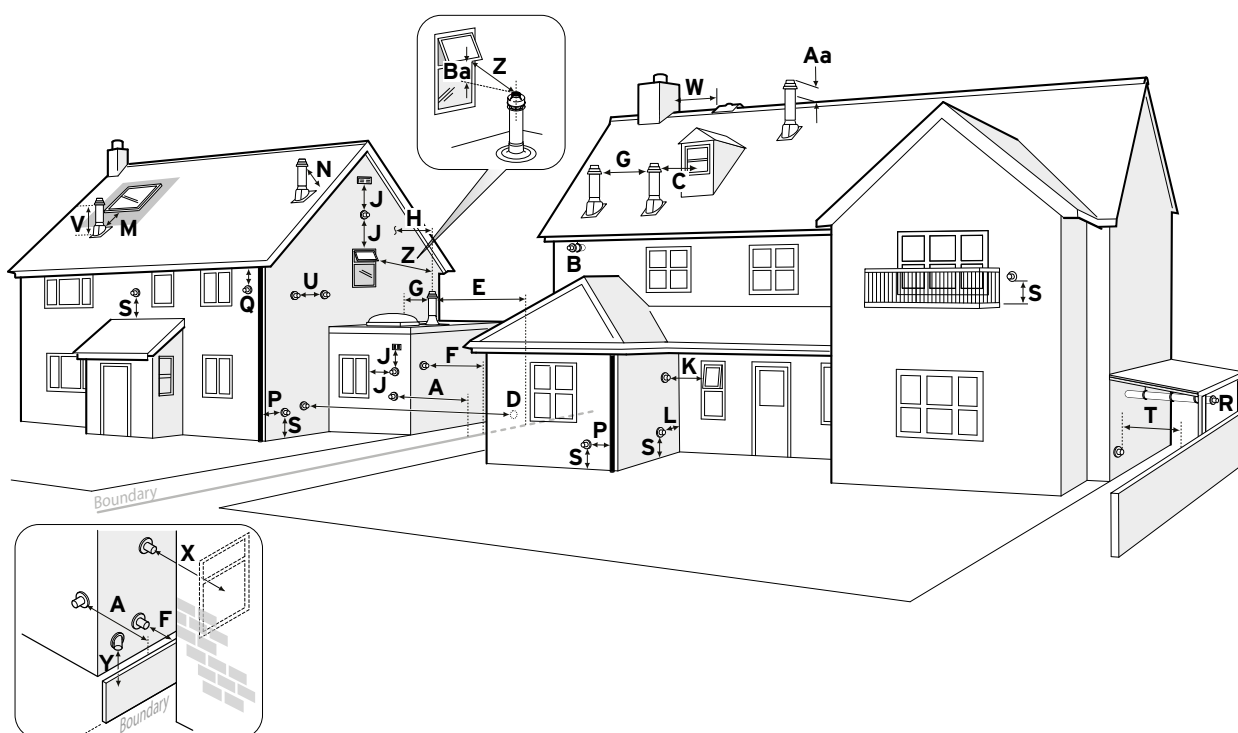


Did you know... we have a wide variety of domestic and commercial cylinders. Find out more on **pages 39 - 42**. For information on the full available range, visit our website or contact your local Vaillant representative today.

Flue lengths

Technical data	Horizontal Flues		Vertical Flues	
	60/100 DN	80/125 DN	60/100 DN	80/125 DN
Diameter	60/100 DN	80/125 DN	60/100 DN	80/125 DN
Combi boilers				
ecoTEC exclusive 835 and 843	5.5m	32m	8m	34m
ecoTEC plus 825	12m	39m	16m	41m
ecoTEC plus 832, 835, 838 and 938	5.5m	32m	8m	34m
ecoTEC pro 24, 28 and 30	12m	39m	16m	41m
ecoFIT pure 825, 830 and 835	10m	25m	10m	25m
System boilers				
ecoTEC exclusive 627	5.5m	32m	8m	34m
ecoTEC plus 612 and 615	22m	25m	26m	27m
ecoTEC plus 618	12m	39m	16m	41m
ecoTEC plus 624, 630 and 637	5.5m	32m	8m	34m
ecoTEC plus 48	-	18m	-	21m
ecoTEC plus 64	-	15m	-	18m
ecoFIT pure 612, 615, 618, 625 and 630	10m	25m	10m	25m
Open vent boilers				
ecoTEC plus 412, 415, 418, 425, 430 and 435	10m	25m	10m	25m
ecoFIT pure 412, 415, 418, 425, 430 and 435	10m	25m	10m	25m

Terminal clearances



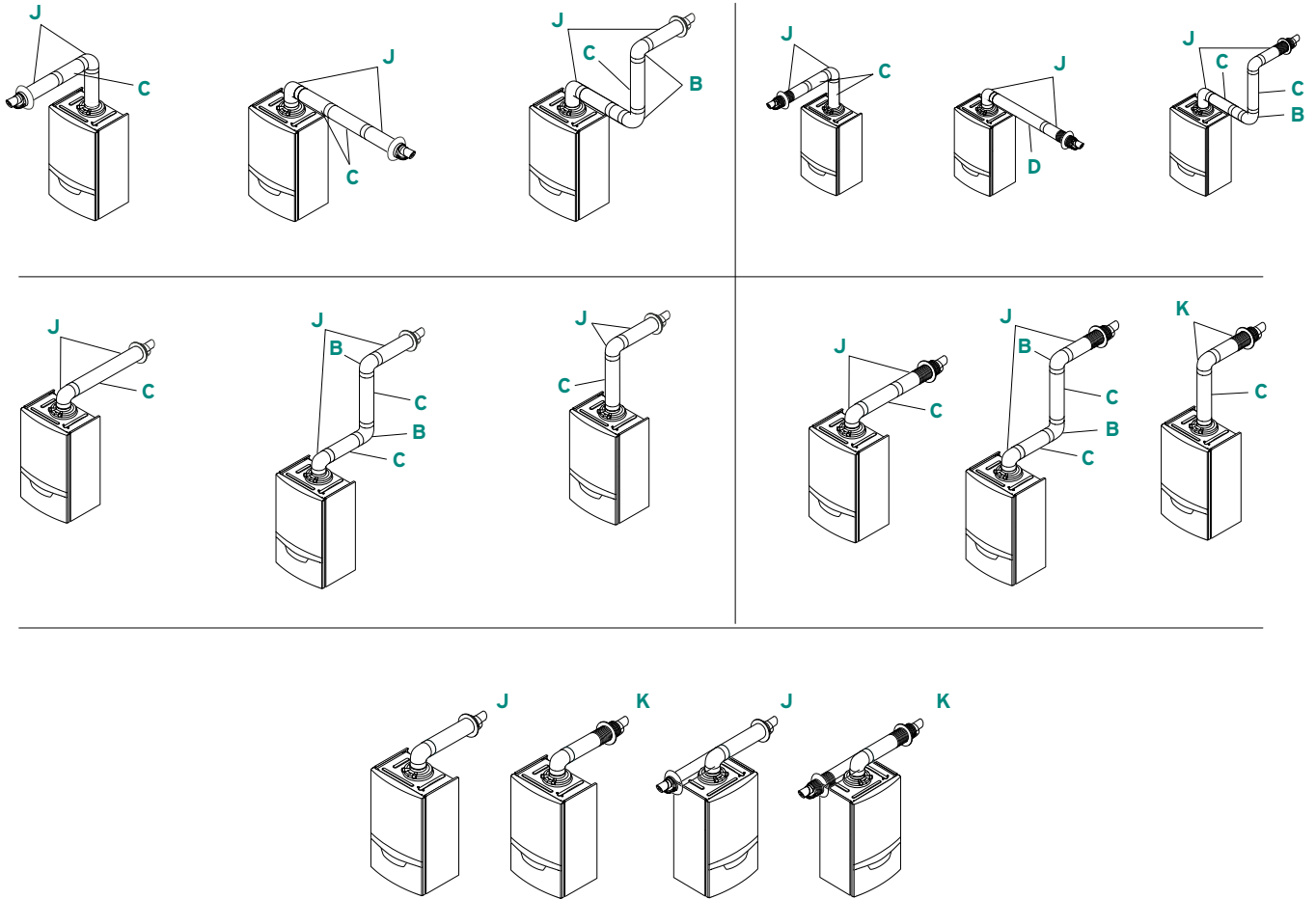
A	300	300mm adjacent to a boundary
B	25	The dimension below eaves, balconies and car ports can be reduced to 25mm, as long as the flue terminal is extended to clear any overhang. External flue joints must be sealed with a suitable silicon sealant
C	1500	1500mm between a vertical flue terminal and a window or dormer window on a roof
D	1200	1200mm between terminals facing each other
E	300	Vertical flue clearance, 300mm adjacent to a boundary line
F	600	600mm distance to a boundary line, unless it will cause a nuisance. BS 5440:Part 1 recommends that care is taken when siting terminal in relation to boundary lines
G	300	300mm minimum clearance from a skylight to a vertical flue or to another vertical flue
H	500 1500	Vertical flue clearance, 500mm to non-combustible building material, and 1500mm clearance to combustible building material
J	300	300mm above, below and either side of an opening door, air vent or opening window
K	600	600mm diagonally to an opening door, air vent or opening window
L	300	300mm to an internal or external corner
M	2000	2000mm below a Velux window, 600mm above or to either side of the Velux window
N	400	400mm from a pitched roof or 500mm in regions with heavy snowfall
P	25	25mm from vertical drain pipes and soil pipes
Q	200	200mm below eaves and 75mm below gutters, pipe and drains

R	25	The dimension below eaves, balconies and car ports can be reduced to 25mm, as long as the flue terminal is extended to clear any overhang. External flue joints must be sealed with suitable silicon sealant
S	300	300mm above adjacent ground or balcony
T	600	600mm distance to a surface facing a terminal, unless it will cause a nuisance. BS 5440: Part 1 recommends that care is taken when siting terminals in relation to surfaces facing a terminal
U	300	300mm clearance alongside another terminal
V	300	300mm above roof level
W	300	300mm min to vertical structure on roof, roof vent
X	2000	2000mm min. to opening in adjacent building
Y	600	600mm min. at an angle to a boundary which is not less than 300mm to the terminal
Z	600	600mm min. measured to the nearest corner of the OPEN window
Aa	300	No more than 300mm above ridge
Ba	300	Not less than 300mm below the opening window

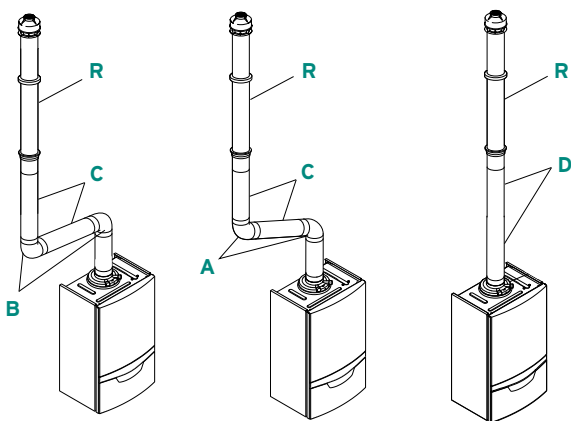
- All measurements are the minimum clearances required
- Terminals must be positioned so to avoid combustion products entering the building
- Support the flue at approximately one metre intervals and at a change of direction, use suitable brackets and fixings
- Installations in car ports are not recommended
- The flue cannot be lower than 1 metre from the top of a lightwell due to the build up of combustion products
- Dimensions from a flue terminal to a fanned air inlet to be determined by the ventilation equipment

Flue solutions

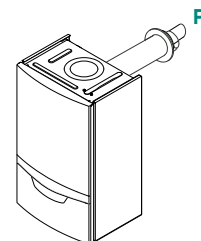
Horizontal flue configurations



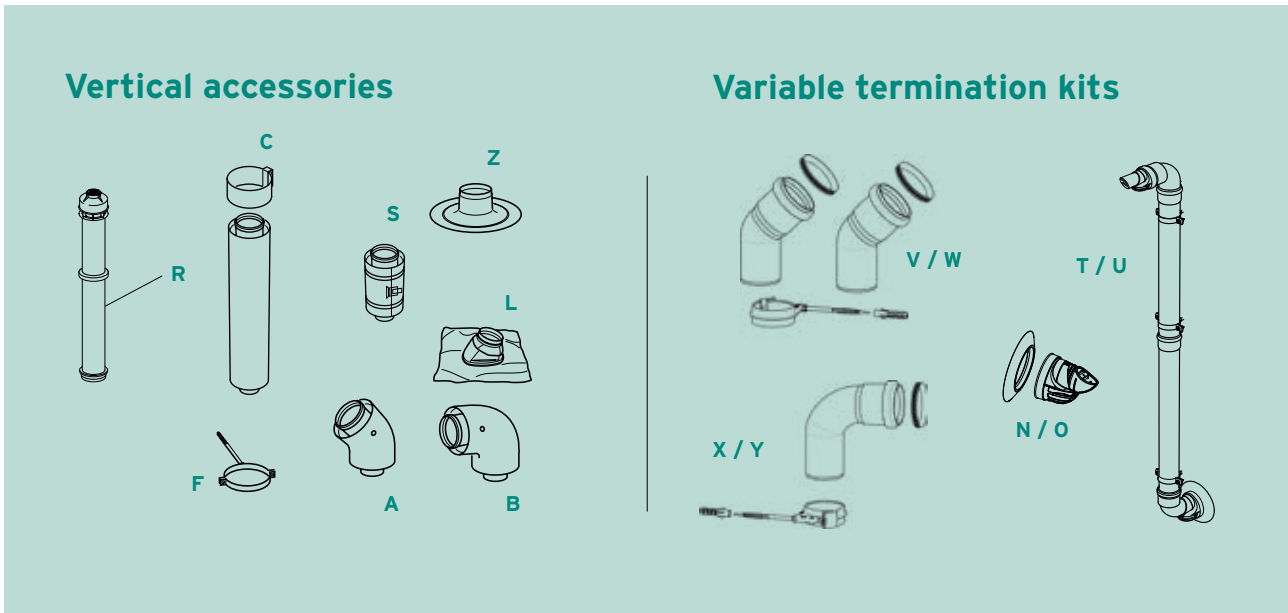
Vertical flue configurations



Rear flue configuration (ecoFIT pure and ecoTEC plus open vent only)



60/100 DN flue range



Component	Description	Part Number	
		60/100 DN	80/125 DN
A	Bends 45° (2 off)	303911	303211
B	Elbow 87°	303910	303210
C	Extension 1.0m	303903	303203
D	Extension 2.0m	303905	303205
E	Extension 4.0m	0020138174	-
F	Fixing clamp (5 off)	303821	303616
G	Flue support clips (5 off)	303935	-
H	Flue terminal kit (black)	0020219537	-
I	Horizontal flue kit 1.7m	0020219519	-
J	Horizontal flue kit	0020219517	303209
K	Horizontal telescopic flue kit	0020219518	-
L	Pitched roof tile flexible (black)	303980	303980
M	Pitched weather collar	009076	009076
N	Plume deflector kit (black)	0020219533	-
O	Plume deflector kit (white)	0020219534	-
P	Rear telescopic flue kit	0020228140	-
R	Roof terminal (black)	0020223472	0020030797
S	Sliding sleeve	303915	303215
T	Variable termination kit (black)	0020219529	-
U	Variable termination kit (white)	0020219530	-
V	VTK elbow 45 deg (2 off) - (black)	0020219551	-
W	VTK elbow 45 deg (2 off) - (white)	0020219552	-
X	VTK elbow 87 deg (black)	0020219543	-
Y	VTK elbow 87 deg (white)	0020219544	-
Z	Flat roof weather collar	009056	009056

Traditional control



timeSWITCH 150

Our basic boiler control allows you to adjust the heating programme by choosing when you would like your system to switch on or off, and how long you would like it to operate for.

The timeSWITCH 150 is compatible with all Vaillant ecoTEC & ecoFIT combi boilers and plugs directly into the boiler without the need for any wiring. This timer provides easy-to-use, basic timing for your central heating needs.

Features & Benefits

- **Easy to use**
Simple 24 hour mechanical timer allowing you to easily programme the times when your boiler is on/off
- **Quick mode selection**
Heating mode selection dial to enable easy switching between off, constant on & timed modes
- **Simple override function**
Manual override does not adjust the time program when the temperature is in the off and constant on heating modes
- **Works with our complete range of combi boilers**
Compatible with all Vaillant combi boilers
- **Discreet plug in timer**
Plugs directly into the fascia of the Vaillant boiler, without the need for any cable harnesses

VRT 50

This easy-to-use, intelligent digital room thermostat shows the current room temperature and allows you to alter the desired room temperature, whilst providing greater efficiency.

Features & Benefits

- **Enhanced load compensation**
VRT 50 reduces the output of your Vaillant boiler, ensuring it only uses as much energy as it needs to
- **Heating and hot water mode on indicator**
A 'flame' indicator is displayed to let you know when the boiler is running in heating mode. A 'tap' indicator is displayed to let you know when the boiler is running in hot water mode
- **Service, maintenance and fault indicator**
Appliance service, fault and maintenance indication is displayed on the screen
- **Clear digital display**
With 0.5°C temperature intervals
- **Simple installation often utilising existing cable**
Two core voltage wired connection for simplicity

Traditional digital control



timeSWITCH 160

Our digital plug in timer allows you to adjust the heating time programmes by choosing three time periods a day; when you would like your heating and hot water system to switch on or off, and how long you would like it to operate for.

Features & Benefits

- **Flexible time programs**
Three heating and hot water time periods can be set for each week, day or over a 24 hour period
- **Service, maintenance and fault indicator**
Appliance service, fault and maintenance indication is displayed on the screen
- **Clear, high contrast backlit display**
Blue backlit display, offers outstanding contrast, resulting in clear information, with low energy consumption
- **Easy to use intuitive menu layout**
Makes it simple to set heating and hot water time programs
- **Holiday function**
Prevents the heating from coming on whilst you are away and switches it back when you return

VRT 15

The easy-to-use, simple 230Vac room thermostat, has been designed to look and feel familiar. It can be used with our timeSWITCH 160 to provide simple and straight-forward control of your boiler.

Features & Benefits

- **Built with a familiar design**
The VRT 15 is designed to be easy to use and feel familiar
- **Clear display of the desired temperature**
Clear mechanical dial to set and display requested temperature
- **Wide range of temperatures for your comfort**
The room temperature can be adjusted between 8 - 30°C
- **Braille temperature indication**
Braille indicator to make the position of 20°C easy to find
- **Simple installation often utilising existing cable**
Two core 230V AC wired connection for simplicity

Load compensating control



VRT 350 / 350F

Our intelligent room compensating controls allow you to fine tune your heating system, giving you even more control. These controls allow you to turn your system on or off at different times of the day, and continually monitors and adapts to give you the desired room temperature.

The blue backlit screen and plain text display make the VRT 350 (wired) and VRT 350F (wireless) easy and clear to understand. Only two push buttons and one rotary knob are needed to select and change data.

Plus, when you go on holiday the VRT 350 and VRT 350F have a holiday set-back function, which reduces the temperature in your property and heats it up before you come back home.

Features & Benefits

- **Flexible time programs**
Three heating and hot water time periods can be set for each week, day or over a 24 hour period
- **Quick mode selection**
Quickly override heating and hot water schedules without making any changes to your programs
- **Clear, high contrast backlit display**
Blue backlit display offers outstanding contrast, resulting in clear information, with low energy consumption
- **Easy to use intuitive menu layout**
Makes it simple to set heating and hot water time programs
- **Fully compatible**
Compatible with Vaillant combination, system and open vent boilers
- **Easily control traditional S and Y plan systems**
Can control either a S or a Y plan system when used with our VR 66 wiring centre
- **Multizone option for two heating circuit solutions**
Multiple wired VRT 350 can be used with our VR 66 wiring centre to provide two heating zones and hot water (S Plan Plus)
- **Enhanced load compensation**
The VRT 350 and VRT 350F can reduce the output of your Vaillant boiler, ensuring it only uses as much energy as is required
- **Service, maintenance and fault indicator**
Appliance service, fault and maintenance indication is displayed on the screen

Smart internet

connected control



vSMART

vSMART is a wireless heating and hot water control and smartphone app, giving homeowners the ability to take control of their heating from anywhere, at any time.

vSMART can be installed in as little as 25 minutes. Quick-fit connection from the gateway wires are fed straight into the boiler, using our intelligent low voltage eBUS connection which requires easily available 0.75mm, 2 core cable.

The vSMART room thermostat can be either wall mounted or free-standing, depending on the homeowner's preference.



Features & Benefits

■ Electronic paper display

Uses proven electronic paper technology offering outstanding contrast, vSMART only uses power when the display is refreshed

■ Intelligent self learning

vSMART learns the thermal behaviour of your home, so when you want 21°C, you get 21°C

■ Android and Apple iOS application

App allows remote control of heating and hot water on the move and from anywhere, anytime

■ Multi user sharing and multi-home control

The app can connect to multiple vSMART controls e.g. family home, holiday home

■ Multiple personalised usage profiles

Profiles can be added, providing a completely tailored heating and hot water system

■ Boiler modulation

Our eBUS connection fully modulates the boiler, ensuring peak performance

■ Internet weather compensation

Optimises system flow temperatures and efficiency

■ Wall mounted or table stand installation

vSMART is delivered with a wall bracket and a table stand that enables the user to choose the perfect location

■ No connection? No problem

vSMART will continue to control your system from its memory with or without an internet connection

Weather compensating control



VRC 700 / 700F

Installing Vaillant system solutions has never been so easy. The VRC 700 system control allows you to manage multi-zone heating and hot water systems. Designed to work multiple products and zones, the VRC 700 effortlessly ensures your appliances are working to their peak performance and always maintaining optimum efficiency. Available in a wired version (VRC 700) or wireless version (VRC 700F) and with the addition of the VR920, the VRC 700/700F can be controlled via the smartphone app.

The VRC 700 control allows for a single interface, that will communicate and control all Vaillant appliances. The VRC 700 will automatically identify and use the most efficient, and therefore most cost effective product at any time.



Features & Benefits

- **Designed with simplicity and familiarity in mind**
Using a familiar menu structure it makes controlling the system easy and efficient
- **Takes care of all Vaillant equipment automatically**
Intelligently communicates with all Vaillant appliances. Automatically choose the most efficient and cost effective appliance
- **Works with our complete range of boilers and heat pumps**
Compatible with Vaillant combination, system and open vent boilers and our aroTHERM and flexoTHERM heat pumps
- **Flexible time programs**
Three heating and hot water time periods can be set for each week, day or over a 24 hour period
- **Clear, high contrast backlit display**
Blue backlit display, using proven technology offers outstanding contrast, resulting in clear information
- **Multiple heating circuits with domestic hot water control**
The wired control can control up to 9 heating circuits and the wireless control can control up to 3 heating circuits
- **Holiday function**
Prevents the heating and hot water coming on whilst away and switches it back on when you return
- **Programs stored in memory permanently**
Holds times and temperature programs are permanently even in the event of power failure

Connected thermostatic radiator valve



ambiSENSE

A smart thermostatic radiator valve (TRV) system to individually control the temperature of each room in your home from your tablet or smartphone. ambiSENSE is sold as a starter pack*, which includes 3 valves and the VR 920 internet gateway. This gateway is responsible for connecting all the thermostatic radiator valves together, for connecting to the eBUS connection on either the boiler or the control and finally for connecting to the internet via Wi-Fi or wired ethernet connection. The valves control the temperature of the room by regulating the flow of hot water through the radiator. They feature a dial used to alter the temperature directly and a screen displaying the temperature the room is set to.

*VRC 700 is required with ambiSENSE



Features & Benefits

- Take full control of your comfort in every room**
 Customise the temperature and heating schedule, saving you energy and ensuring a comfortable home
- Android and Apple iOS application**
 App allows you to take full control of each heating valve on the move and from anywhere, anytime
- Clear digital display**
 Provides clear room temperature information
- Manually alter the temperature**
 Adjust the valve to alter the temperature for an hour without disrupting your heating program
- Create up to 20 zones**
 Connect up to 20 valves without worrying about connection, each valve also works as a signal booster
- Open window detection**
 The valve will automatically detect an open window and stop heating the room to save you energy
- Easy to install**
 Unscrew the old radiator valve and replace it with ambiSENSE, then follow the simple steps in the app
- Wireless valves**
 Each valve is completely wireless
- Horizontal and vertical mounting variants**
 To fit a wide range of radiators

Domestic Cylinders



Overview

Performance and reliability are what Vaillant are all about. That's why our products have been expertly designed and engineered to work to their full potential together. Working in perfect harmony with all the Vaillant range of domestic boilers, the uniSTOR cylinder range uses state of the art insulation to give the ultimate efficiency.

Vaillant cylinders have best in class insulation and are tested in accordance with all industry standards. In addition, Vaillant fully support and comply to the additional requirements of the Hot Water Association and the rigorous auditing process that ensures the highest quality standards are maintained.

As well as our range of domestic cylinders, we also offer a range of commercial cylinders, including our 500L and 800L single coil cylinders, designed to work with our 48kW and 64kW commercial boilers. To find out more about this range, visit our website or contact your local Vaillant representative today.

Features & Benefits

- **Extended cylinder range**
Easy to select right product required for the system
- **Slimline cylinders available**
Perfect for smaller spaces
- **Pre-plumbed cylinders**
For faster installation and time and money savings
- **Improved insulation**
Best in class ERP rating and very low heat loss
- **Metal outer jacket**
For easy clean, high quality and low risk of damage
- **Controls mounting plate**
For easy location of controls (pre plumbed only)
- **In-line front connections**
For easy and neat installation
- **Adjustable feet**
For easy installation on uneven ground
- **Hidden cable duct**
Easy and neat wiring of cylinder
- **Un-vented kit and expansion vessel supplied with product**
No additional cost to meet G3 requirements



uniSTOR slim-line pre-plumbed cylinder

Technical data	Unit of measure	uniSTOR slim-line pre-plumbed	
Model		120	150
Article number		0010019209	0010019210
Maximum height	mm	1427	1642
Diameter	mm	435	435
Un-vented kit	l	12	12
ERP		C	C
Heat loss	kW / 24hrs	1.68	1.80
Coil output	kW	16.4	16.1
Coil size		0.65	0.65
Primary flow rate	l/h	900	900
Re-heat (70%)	mins	15.2	18.4
Heat up 15 to 60C	mins	21.7	26.3
Actual water capacity	l	121	141
Weight empty	kg	49.5	53.6
Weight full	kg	171	195



uniSTOR pre-plumbed cylinder

Technical data	Unit of measure	uniSTOR pre-plumbed			
		180	200	250	300
Model		180	200	250	300
Article number		0010019211	0010019212	0010019213	0010019214
Maximum height	mm	1165	1265	1535	1745
Diameter	mm	595	595	595	595
Un-vented kit	l	18	18	25	25
ERP		B	B	B	B
Heat loss	kW / 24hrs	1.11	1.22	1.41	1.59
Coil output	kW	17.1	16.9	16.6	16.5
Coil size		0.80	0.80	0.80	0.80
Primary flow rate	l/h	900	900	900	900
Re-heat (70%)	mins	20.7	22.1	30.3	34.0
Heat up 15 to 60C	mins	29.6	31.6	43.3	48.5
Actual water capacity	l	175	194	245	284
Weight empty	kg	59.0	61.2	70.9	76.0
Weight full	kg	234	255	316	360



uniSTOR standard cylinder

Technical data	Unit of measure	uniSTOR standard					
		120	150	180	200	250	300
Model							
Article number		0020235265	0020235266	0020235267	0020235268	0020235269	0020235270
Maximum height	mm	840	1000	1165	1265	1535	1745
Diameter	mm	595	595	595	595	595	595
Un-vented kit	l	12	12	18	18	25	25
ERP		A	A	B	B	B	B
Heat loss	kW / 24hrs	0.83	1.00	1.11	1.22	1.41	1.59
Coil output	kW	15.8	17.2	17.1	16.9	16.6	16.5
Coil size		0.69	0.69	0.80	0.80	0.80	0.80
Primary flow rate	l/h	900	900	900	900	900	900
Re-heat (70%)	mins	14.3	18.6	20.7	22.1	30.3	34.0
Heat up 15 to 60C	mins	20.4	26.6	29.6	31.6	43.3	48.5
Actual water capacity	l	115	145	176	194	245	284
Weight empty	kg	33.0	36.0	40.0	42.0	52.0	56.0
Weight full	kg	148	181	216	236	297	340

Training

& Development



Industry leading training designed for industry leading engineers

With a team of fully qualified industry experts, our training courses have been designed and tailored to keep you one step ahead of the ever-developing world of heating and hot water technologies, and industry regulations.

We offer a full package of courses for all levels within the industry. From a full day of getting hands on with the ecoTEC and ecoFIT range of domestic boilers and our range of heat pumps including flexoTHERM, aroTHERM and geoTHERM.

Dedicated state of the art Centres of Excellence

Located in Glasgow, Elland (near Leeds), Belper (near Derby), Cambridge, Farnborough, Bristol and Maidstone, you can rest assured there is a centre never far away from where you are. Our centres have been developed and designed with you in mind, offering spacious facilities, a comfortable and superbly equipped training environment, with plenty of opportunities for hands on experience and product familiarisation.



For more information on our courses or to visit one of our UK Centres of Excellence:

Telephone: 0345 601 8885 or email: training.enquiriesuk@vaillant-group.com

Service

& Support



Overview

We invest as much time, energy and effort into providing outstanding service, as we do in creating industry leading heating and renewable solutions. So you know that when you choose Vaillant, you will be supported by the best.

With Vaillant, you'll find that help is never far away. We have operators available at the end of dedicated phone lines, 7 days a week, 364 days a year, ready to arrange service engineer call outs. Moreover, our operators are qualified experts who can call upon a wide technical knowledge of Vaillant appliances and supply you with right first time advice over the phone.

Outstanding first fix rate

We have an outstanding 93% first time fix rate. This is because our engineers are expertly trained on all of our products, and carry 95% of all Vaillant spare parts in their vans.

Spares availability

Our Spares outlets offer excellent customer service with experienced and dedicated staff, who excel in the sale of genuine Vaillant Spares.

We are committed to responsible spares provision and provide spares for a minimum of 15 years after product discontinuation. We have a nationwide network of genuine spares stockists and a dedicated Vaillant spare parts team to help you identify the parts you require.

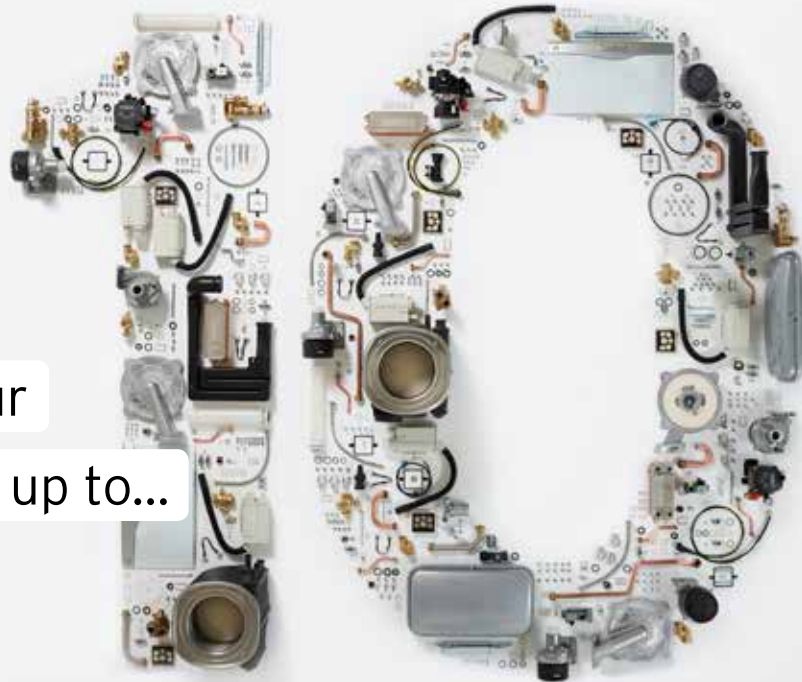
Elite Spares Stockist scheme

The Vaillant Elite Spares Stockist Scheme has been launched to allow spare parts stockists to display their capabilities in supplying genuine Vaillant spare parts. Customers can identify which of their local stockists reach the high levels of standards of the Vaillant scheme. The 4 badges that spare part stockists can display range from Recognised to Elite.

The scheme has been designed to reassure customers that only genuine Vaillant spare parts are being utilised in their boilers. This scheme means that installers can install with confidence and get the parts that they are after with maximum efficiency.

Our new spares app has the latest Vaillant spare parts catalogue data that contains a host of features including exploded views, spare part numbers, product pictures, weights and other key information.

Turn your
guarantee up to...



Boost your business with our extended guarantees

Now there's even more reason to become a Vaillant Advance installer! Benefit from a ten-year guarantee on the ecoTEC exclusive with Green iQ and ecoTEC plus when installed with the Vaillant Boiler Protection Kit. Get 7 year extended guarantees on the ecoTEC pro and ecoFIT pure, too. Boost your business with both by claiming your guarantee through Vaillant Advance*.

Boiler range	Out of the Box	NEW guarantee when registered on Advance	Advance + protection kit	Advance Cashback	Advance Credits
ecoTEC exclusive Green iQ	5 Year	7 Year	10 Year	£15	30
ecoTEC plus	5 Year	7 Year	10 Year	£15	30
ecoTEC pro	2 Year	7 Year	-	£10	20
ecoFIT pure	2 Year	7 Year	-	£10	20
Boiler Protection Kit	-	-	-	-	20



Introducing the Vaillant Boiler Protection Kit

Our Boiler Protection Kit, specially designed for Vaillant boilers, will make it even easier for you to install comfort. The kit includes a high-quality Vaillant metal water filter plus a system water test kit.

- 22mm version suitable for Vaillant boilers with heating output 14 - 27kW (from £119)
- 28mm version suitable for Vaillant boilers with heating output 28 - 45kW (from £149)

Buy your Boiler Protection Kit from your local merchant or through Advance, today.

Advance your business

Become a Vaillant Advance member today, and start boosting your business with:

- Cashback and credits on qualifying product registrations
- Extended guarantees exclusive to Advance members
- Free product training at our nationwide Centres of Excellence
- Access to product and legislations news
- VIP trips and events

Sign up today at Vaillant-advance.co.uk



Order numbers

Article description	Article code
Boiler protection kit (22mm)	0020278309
Boiler protection kit (28mm)	0020278310
Combi boilers	
ecoTEC exclusive 835	0010017064
ecoTEC exclusive 843	0010017065
ecoTEC plus 825	0010021823
ecoTEC plus 832	0010021824
ecoTEC plus 832 LPG	0010021825
ecoTEC plus 835	0010021822
ecoTEC plus 838	0010021826
ecoTEC plus 938	0010021827
ecoTEC pro 24	0010021836
ecoTEC pro 28	0010021837
ecoTEC pro 28 LPG	0010021838
ecoTEC pro 30	0010016538
ecoFIT pure 825	0010020389
ecoFIT pure 830	0010020390
ecoFIT pure 835	0010020391
System boilers	
ecoTEC exclusive 627	0010017063
ecoTEC plus 612	0010021828
ecoTEC plus 615	0010021829
ecoTEC plus 618	0010021830
ecoTEC plus 618 LPG	0010021831
ecoTEC plus 624	0010021832
ecoTEC plus 630	0010021833
ecoTEC plus 630 LPG	0010021834
ecoTEC plus 637	0010021835
ecoTEC 48	0010021520
ecoTEC 64	0010021521
ecoFIT pure 612	0010020395
ecoFIT pure 615	0010020396
ecoFIT pure 618	0010020397
ecoFIT pure 625	0010020398
ecoFIT pure 630	0010020399
Open vent boilers	
ecoTEC plus 412	0010021220
ecoTEC plus 415	0010021221
ecoTEC plus 418	0010021222
ecoTEC plus 424	0010021223
ecoTEC plus 424 LPG	0020231355
ecoTEC plus 430	0010021224
ecoTEC plus 435	0010015674
ecoFIT pure 412	0010020400
ecoFIT pure 415	0010020401
ecoFIT pure 418	0010020402
ecoFIT pure 425	0010020403
ecoFIT pure 430	0010020404
ecoFIT pure 435	0010020405
Controls	
vSMART combi Pk	0020223154
vSMART System/OVent Pk	0020223158
VRT 350	0020124475
VRT 350F	0020124482
VRT 15	306777
VRT 50	0020018265
timeSWITCH 150	0020116882
timeSWITCH 160	0020124498
Wireless VRC 700F	0020231564
Wired VRC 700	0020236291
VR 920	0020252923

ambiSENSE starter Pk	0020242485
ambiSENSE VR50	0020242487
ambiSENSE VR50 GB	0020242487
ambiSENSE VR50 DK HR SI GB	0020247920
ambiSENSE VR51 DK HR SI GB	0020247923
Wired VRC 700 2 Radiator zone & DHW	0020236293
Wired VRC 700 3 Radiator zone & DHW	0020236294
Wired VRC 700 1 Radiator & 1 Solar DHW	0020236295
Wired VRC 700 2 Radiator & 1 Solar DHW	0020259834
Wireless VRC 700 1 Radiator zone & DHW	0020259830
Wireless VRC 700 2 Radiator zone & DHW	0020259831
Wireless VRC 700 3 Radiator zone & DHW	0020259832
Wireless VRC 700 1 Radiator & 1 Solar DHW	0020259833
Wireless VRC 700 2 Radiator & 1 Solar DHW	0020259835
Cylinders	
Slim-line pre-plumbed	
uniSTOR 120	0010019209
uniSTOR 150	0010019210
Pre-plumbed	
uniSTOR 180	0010019211
uniSTOR 200	0010019212
uniSTOR 250	0010019213
uniSTOR 300	0010019214
Standard	
uniSTOR 120	0020235265
uniSTOR 150	0020235266
uniSTOR 180	0020235267
uniSTOR 200	0020235268
uniSTOR 250	0020235269
uniSTOR 300	0020235270
Flues and accessories	
Bends 45° (2 off) DN60/100	303911
Elbow 87° DN60/100	303910
Extension 1.0m DN60/100	303903
Extension 2.0m DN60/100	303905
Extension 4.0m DN60/100	0020138174
Extension 0.5m DN 60/100	303902
Extension 0.5m DN 80/125	303202
Fixing clamp (5 off)	303821
Flue support clips (5 off)	303935
Flue terminal kit (black)	0020219537
Horizontal flue kit 1.7m	0020219519
Horizontal flue kit DN60/100	0020219517
Horizontal telescopic flue kit DN60/100	0020219518
Pitched roof tile flexible	303980
Pitched weather collar	009076
Plume deflector kit (black)	0020219533
Plume deflector kit (white)	0020219534
Pipe cover plate (large)	0020237908
Pipe cover plate (small)	0020237909
Rear telescopic flue kit	0020228140
Roof terminal (black)	0020223472
Ridge tile terminal	303982
Sliding sleeve DN60/100	303915
Telescopic offset flue DN60/100	303919
Variable termination kit (black)	0020219529
Variable termination kit (white)	0020219530
VTK elbow 45 deg (2 off) (black)	0020219551
VTK elbow 45 deg (2 off) (white)	0020219552
VTK elbow 87 deg (black)	0020219543
VTK elbow 87 deg (white)	0020219544
Spacing frame (ecoFIT pure c&s only)	0020229924
Spacing frame (ecoTEC plus / pro c&s only)	308650
ecoLEVEL condensate pump	0020030797
Upward piping kit	0020237907

Customer service support

contact details.

Sales Enquiries

Vaillant products are available to purchase from reputable heating merchants in the UK. To find contact details of your nearest Vaillant representative:

Telephone: 0345 602 0262

After Sales

For support after your boiler has been installed, whether you would like to book a service or are in need of technical advice, our operators are available 7 days a week, 364 days a year.

Telephone: 0330 100 3143

Installer Technical Enquiries

For technical assistance:

Telephone: 0344 693 3133

Email: technical@vaillant.co.uk

Training Enquiries

Vaillant provide many different installer training courses. For more information:

Telephone: 0345 601 8885

Email:

training.enquiriesuk@vaillant-group.co.uk

General Enquiries

If you have a general enquiry, our friendly reception staff will happily point you in the right direction:

Telephone: 0345 602 2922

Email: info@vaillant.co.uk

Vaillant Group UK Ltd

Nottingham Road, Belper, Derbyshire DE56 1JT
Company registration number: 294316

Telephone: 0345 602 2922 ■ www.vaillant.co.uk ■ info@vaillant.co.uk